

LUMUX

Date :

Project :

Type:

Agency :

Distributor :



Description : The BL100 Bollard luminaires provide efficient low-glare illumination from a highly durable seamless architectural form. This unit is fabricated from extruded stainless steel with UV rated polycarbonate lens. All hardwares are stainless steel. silicon gasketed for weather tight operation. Anchor bolts are provided. This unit is utilizing 3 watt LED. 120 volt or 277 volt driver is integral with this luminaries. Unit could be specified in Black, Sliver, White or Dark Bronze. Unit complies with "Made in USA" provision.

SPECIFICATION:

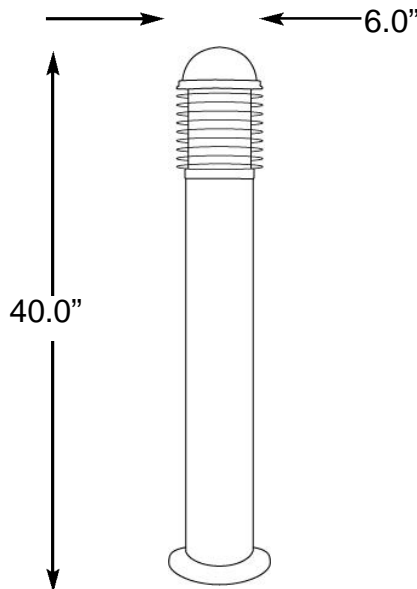
Housing : Extruded stainless steel. Vandal resistance stainless steel screws. Silicon gasketed for weather tight operation.

Diffuser : Poly Carbonate.

Electrical : Voltage : 120 or 277
Lamp: 3 watt LED, Compact Fluorescent.
Driver : Integral, class P, Electronic Driver

Installation:
Unit is provided with anchor bolts.

DIMENSIONS:



Lumux - BL100

Lumux reserves the right to modify the above details to reflect changes in the cost of materials and/or design without prior notice.

Lumux Lighting Inc	877-895-5552	Rev : B	Drawing Number BL100
--------------------	--------------	---------	-------------------------

LUMUX

Date :

Project :

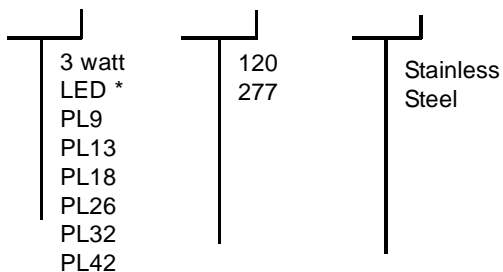
Type:

Agency :

Distributor :

ORDERING GUIDE:

BL100 / XXX / XXX / xxx



* The LED Light source comes with its integral driver @ 120 volt or 277 volt.

Lumux - BL100

PROJECT NOTES:

Comments

Approval

Lumux reserves the right to modify the above details to reflect changes in the cost of materials and/or design without prior notice.

Lumux Lighting Inc

877-895-5552

Rev :B

Drawing Number
BL100