

LUMUX

Date :

Project :

Type:

Agency :

Distributor :



Description : IP65, Walk – over linear fluorescent in – grade luminaries fabricated from extrusion aluminum S6062 alloy with less than 1% copper. Other components are low copper die cast aluminum. High purity anodized aluminum 99.98% symmetrical or asymmetrical reflector is covered with 8 mm thickness impact resistant transparent safety tempered glass. All fastener are in Allen head type stainless steel. Silicon gasketed to qualify the unit for weather tight application. ETL rated for wet location. Unit could be specified for facade or sign illumination, marking or tracing for pedestrian walkways. The compact design of this unit would benefit this unit for tight space application.

SPECIFICATION:

Housing : Extruded Aluminum. Cover is Aluminum die cast. Unit is silicon gasketed for weather tight application.

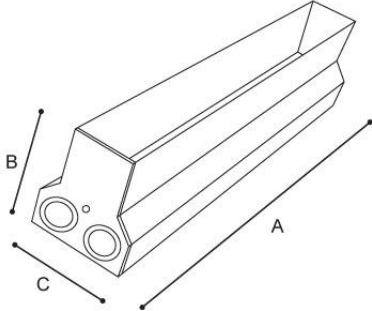
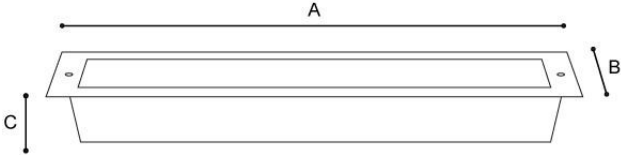
Diffuser : Clear

Electrical : Voltage : 120 / 277
 Lamp: Fluorescent, LED
 Socket : Mini Bi-pin G5
 Ballast : Class P, Electronic Ballast

Paint : Special Powder coated Fluorocarbon paint is used to enhance the unit's weather resistance, anti corrosion and high temperature resistant.

Installation :
 Unit provides with its polymer or galvanized steel rough-in box with the required opening of:
 A=26" or 38", C = 5.0" , B=5 1/2".

Lumux - LF600



A = 26 1/2" (LF600-1) , 38 1/2" (LF600-2),
 B = 4.0"
 C = 3 1/4"

CPX or Rough-in Box details

Lumux reserves the right to modify the above details to reflect changes in the cost of materials and/or design without prior notice.

Lumux Lighting Inc	877-895-5552	Rev : F	Drawing Number LF600-1, LF600-2, LF600-3
--------------------	--------------	---------	---

LUMUX

Date :

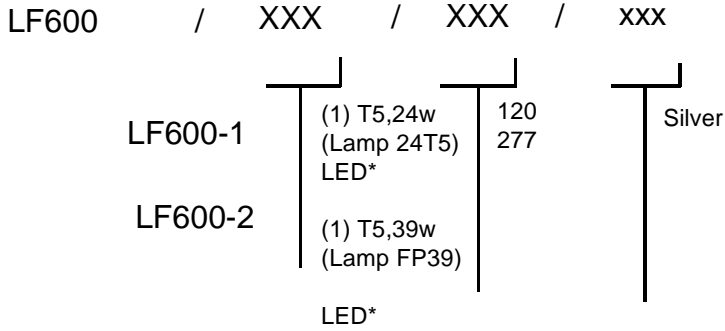
Project :

Type:

Agency :

Distributor :

ORDERING GUIDE:



Lumux - LF600

* LED lamp comes with its own 120 volt Driver.

Project Notes :

Comments

Approval

Lumux reserves the right to modify the above details to reflect changes in the cost of materials and/or design without prior notice.

Lumux Lighting Inc	877-895-5552	Rev :F	Drawing Number LF600-1,LF600-2,LF600-3
---------------------------	---------------------	---------------	--