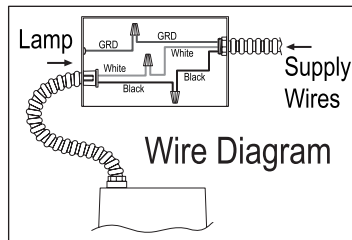
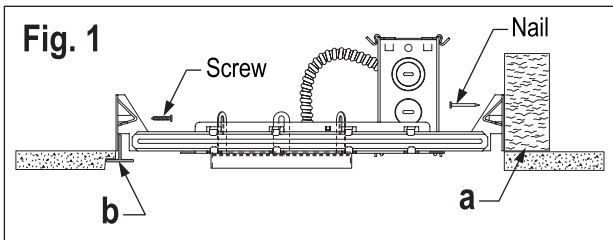


LUMUX INC.

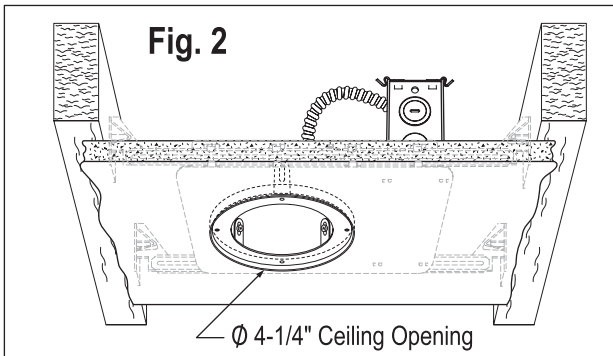
INSTALLATION OPERATION INSTRUCTIONS

PREPARING THE LUMINAIRE

SAVE THIS INSTRUCTIONS



READ & UNDERSTAND ALL INSTRUCTIONS BEFORE INSTALLATION. IF YOU ARE NOT FAMILIAR WITH THE NATIONAL ELECTRICAL CODE (NEC), CONTACT A QUALIFIED ELECTRICIAN TO INSTALL THIS LUMINAIRE FOR YOU.



WARNING.- Before installing this luminaire or doing any maintenance, turn off the power supply at the circuit breaker or fuse box. Turning the power off using the light switch is not sufficient to prevent electrical shock.

Fig. 1.- Install Luminaire Frame to:

- a) Align Hanger Brackets bottom edge with bottom face of studs and secure with nails or wood screws (by others), see Fig. 1.
 - b) Pull one end of rail brackets and insert over the T-Bar Hangers, then pull the other side of the rails, see Fig. 1.
- Before installing the ceiling, place the frame opening in desired location, then secure the brackets using metal screws (by others), see Fig. 1.

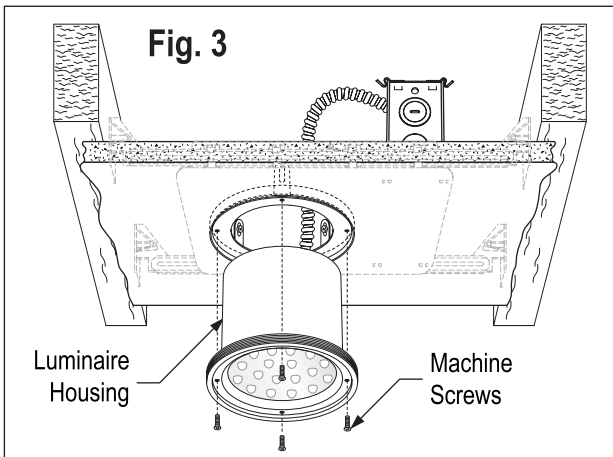


Fig. 2.- Install Ceiling: Trace and cut a hole of 4-1/4" diameter on ceiling material to have access to the luminaire opening, see Fig. 2.

Fig. 3.- Install Luminaire Housing:

- 1.- Run luminaire wires through the flex conduit into the junction box, then insert conduit to the housing, see Fig. 3 & Wire Diagram.
- 2.- Insert luminaire housing into the frame opening and install using the four machine screws (provided), see Fig. 3.

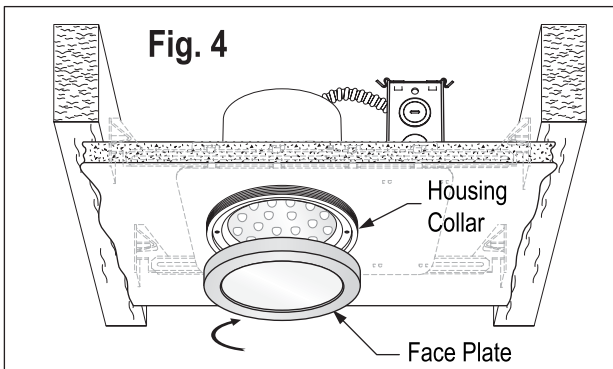
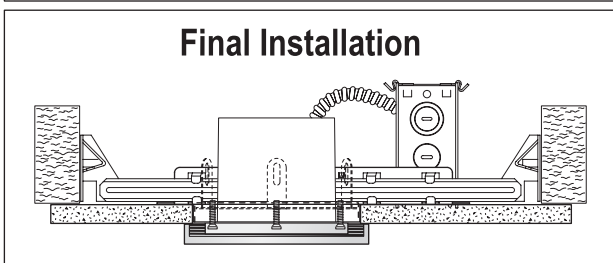


Fig. 4.- Install Luminaire Face Plate: Aim luminaire face plate to housing collar and install by turning clockwise until upper edge is flashed to the ceiling, see Fig. 4 & Final installation.

NOTE:

- 1.- Access to junction box: Remove snap on j-box cover plate.
- 2.- Installing supply conduit: Remove one of the knock outs with a flat blade screwdriver and install the end of conduit to j-box.
- 3.- Make electrical connections: See Wire Diagram for appropriate wire connections.
- 4.- Before replacing the j-box cover plate, make sure all the wire connections are within the j-box.



RECESSED CEILING LUMINAIRE - DOWN LIGHT - DL100

LUMUX - ARCHITECTURAL LIGHTING COMPANY- Toll Free 877- 895-5552 www.Lumux.net