

LUMUX INC.

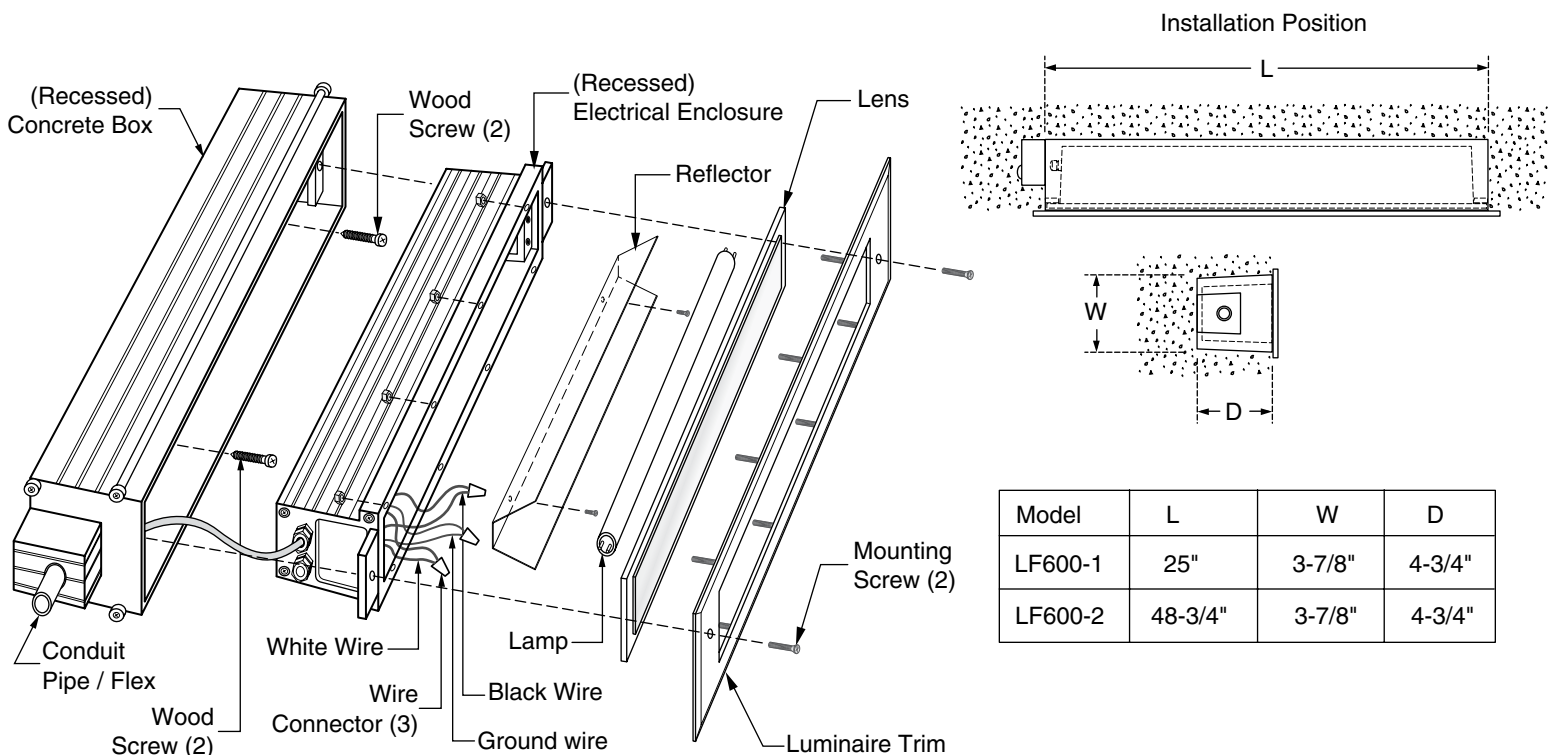
INSTALLATION OPERATION INSTRUCTIONS

PREPARING THE FIXTURE

- WARNING** - Before starting the installation, disconnect the power by turning off the circuit breaker or removing the fuse at the fuse box. Turning the power off using the light switch is not sufficient to prevent electrical shock.
- Run the supply electrical wires through the Flex Conduit or Pipe (by others).
- Place the Recessed Concrete Box against the stud and secure with two Wood Screws (by others) as shown in illustration below.
- Make electrical connections: Connect grounding wire (green or bare copper) from the supply circuit to the green or bare copper wire(s) from the Luminaire. Connect the white wire from the Luminaire to the white wire of the supply circuit. Connect the black wire from the Luminaire to the black wire of the supply circuit. Use U.L. Listed wire connectors (by others). Secure wire connectors with U.L. Listed electrical tape (by others). Push all wire connections into the J-Box.
- Replace the Luminaire Reflector using two machine screws (provided) as shown in illustration below.
- Install the lamp (by others) **Do Not Exceed Recommended Wattage.**
- Replace the Luminaire Lens (provided) as shown in illustration below.
- Install Luminaire Trim with the two Mounting Screws (provided) as shown in figure below.

IMPORTANT: In order to comply with established electrical code, the installer must seal the area around the Fixture Canopy and the Wall, with type of caulking compound such as GE 100% or Dow Corning 100% silicone to provide a watertight seal in accordance with the differing surface textures of the wall.

NOTE: Install Housing Front Flush to the Wall.



RECESSED LUMINAIRE - WALL MOUNT LF 600 Series