

# LUMUX

Date :

Project :

Type:

Agency :

Distributor :



This cylindrical shaped luminaire is constructed from low copper extruded aluminum with the aluminum die cast caps. This unit utilizes frosty poly carbonate diffuser specially treated to be resistive to color deterioration. Silicon gasketed for weather tight application. Three stages Polyester powder coat, chromatization, polyester powder coating and high temperature baking. Specify this aesthetically designed path luminaire instead of specifying traditional bollard unit to further enhance your design looks and its functionality. ETL listed for wet location.

**SPECIFICATION:**

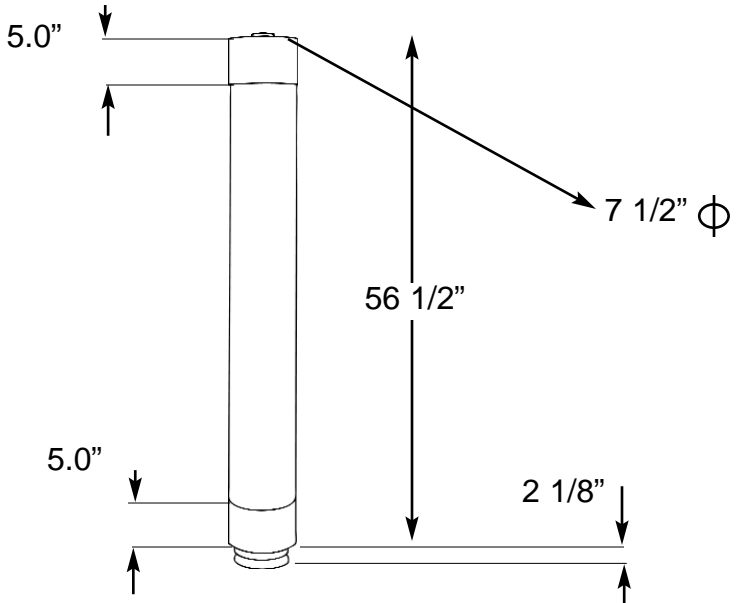
**Housing :** Low copper aluminum die cast and extruded aluminum. Vandal resistance stainless steel screws. Silicon gasketed for weather tight operation.

**Diffuser :** Clear polycarbonate

**Electrical :** Voltage : 120 /277  
Lamp: (3) T8 32 watt  
LED

**Installation:**  
Unit could be used as Bollard or post top.  
Contact the factory for proper tenon for each application.

**DIMENSIONS:**



Lumux reserves the right to modify the above details to reflect changes in the cost of materials and/or design without prior notice.

**Lumux - PL400**

Lumux Lighting Inc	877-895-5552	Rev : A	Drawing Number PL400
--------------------	--------------	---------	-------------------------

# LUMUX

Date :

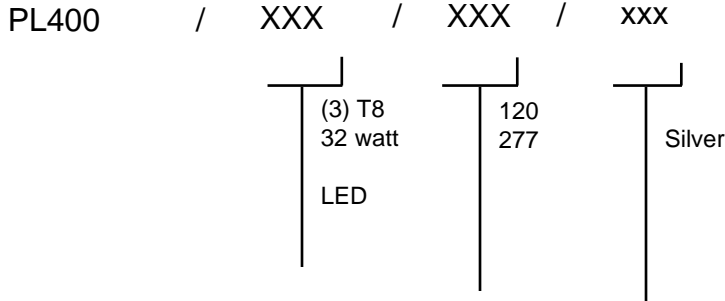
Project :

Type:

Agency :

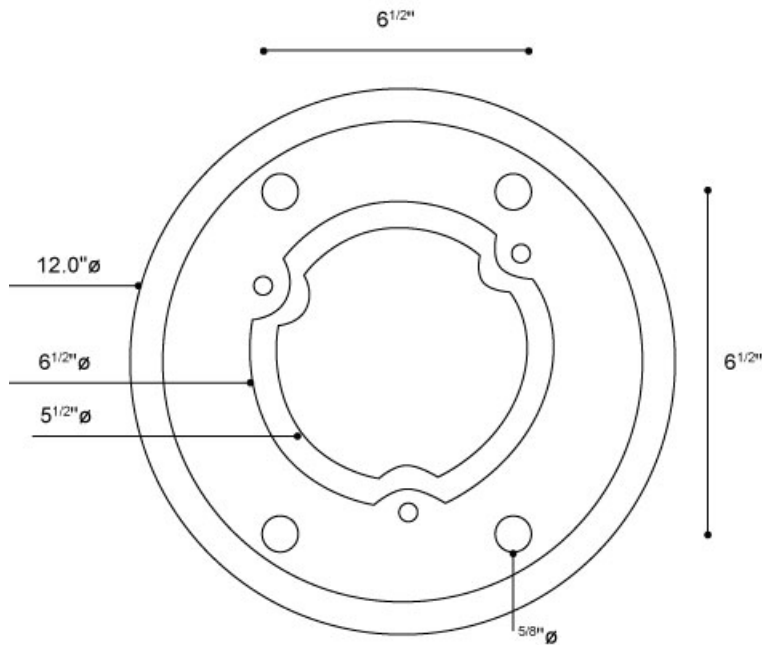
Distributor :

## ORDERING GUIDE:



Lumux - PL400

## Post Detail:



shaft : 6.0" diameter fabricated from high grade Structural steel tube shaft conforms to ASTM-A-501-68 specifications. Meets or exceeds minimum yield strength of 46 PSI wall thickness 11GA as specifies.

Anchorage : (4) anchor bolts fabricated from hot rolled steel bar. Minimum yield strength of 50 PSI. Bolts have "L" bend on one end and are threaded on the other end. Bolts are fully galvanized and are furnished with two nuts and two washers.

Lumux reserves the right to modify the above details to reflect changes in the cost of materials and/or design without prior notice.

Lumux Lighting Inc	877-895-5552	Rev :A	Drawing Number PL400
--------------------	--------------	--------	-------------------------