

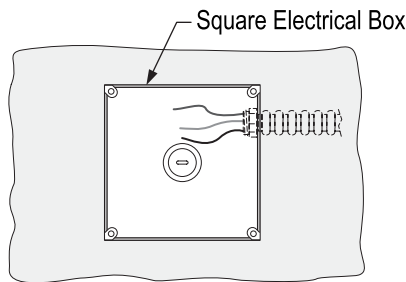
LUMUX INC.

INSTALLATION OPERATION INSTRUCTIONS

PREPARING THE LUMINAIRE

SAVE THIS INSTRUCTIONS

Fig. 1



READ & UNDERSTAND ALL INSTRUCTIONS BEFORE INSTALLATION. IF YOU ARE NOT FAMILIAR WITH THE NATIONAL ELECTRICAL CODE (NEC), CONTACT A QUALIFIED ELECTRICIAN TO INSTALL THIS LUMINAIRE FOR YOU.

WARNING.- Before installing this luminaire or doing any maintenance, turn off the power supply at the circuit breaker or fuse box. Turning the power off using the light switch is not sufficient to prevent electrical shock.

Fig. 2

Wire Diagram

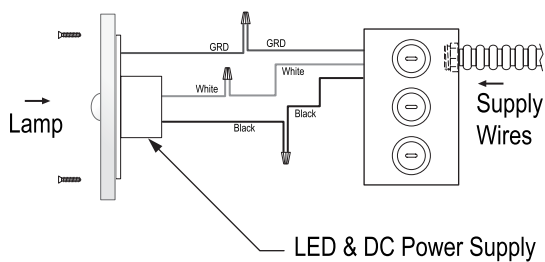


Fig. 1.- Select Proper Electrical Box:

- 1.- Select desire location to install electrical box (by others) and secure with nails or wood screws (by others), see Fig. 1.
- 2.- Install power supply conductor to electrical box (by others) and run electrical supply wires, see Fig. 1.

Fig. 2.- Install DC Power Supply:

- 1.- Make electrical connections as shown in wire diagram, see Fig. 2.

Fig. 3

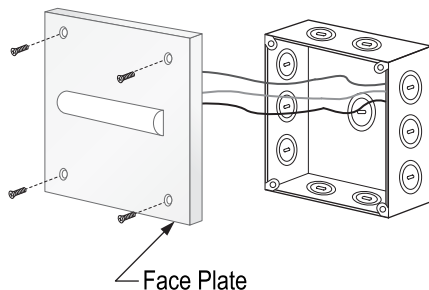


Fig. 3.- Install Luminaire Face Plate:

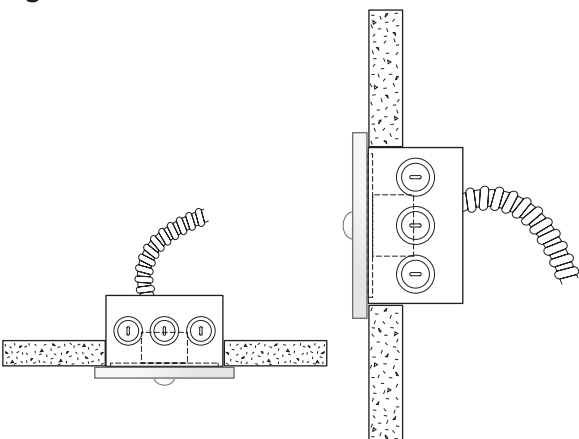
- 1.- Make sure all electrical wire connections are place inside the electrical box before installing face plate, see Fig. 3.
- 2.- Aim luminaire face plate to electrical box and install using the four machine screws (provided), see Fig. 3.

Fig. 4.- Luminaire Applications:

- 1.- This product is suitable for wall and ceiling mounting, see Final installation.

Fig. 4

Final Installation



NOTE:

- 1.- For re-lamping, replacement parts and additional information, contact or visit manufacturer at www.lumux.net

RECESSED LUMINAIRE - SL100

LUMUX - ARCHITECTURAL LIGHTING COMPANY- Toll Free 877- 895-5552 www.Lumux.net