

# LUMUX

Date :

Project :

Type:

Agency :

Distributor :



**Description :** Lumux patented State – of – the- art LED Based Street light with a color temperature of 6000 Kelvin is a viable replacement for the conventional type light source Street way & Roadway light post. Sleek design, efficiency of the unit together with its light source’s efficacy will warrant the unit’s specified performance continuously. Low power consumption of the unit for only 35 watt with 30 LED’s @ 80 lumen per LED will guarantee the specified light distribution @ the ground zero of a 7’ or 10’ pole. Lightweight design aspect of the unit will enhance the unit’s application for wall mount and up light design. This unit could be specified for: Street/tunnel, Canopy, Parking structure, Security, floods and pathways. ETL Listed for wet locations.

**SPECIFICATION:**

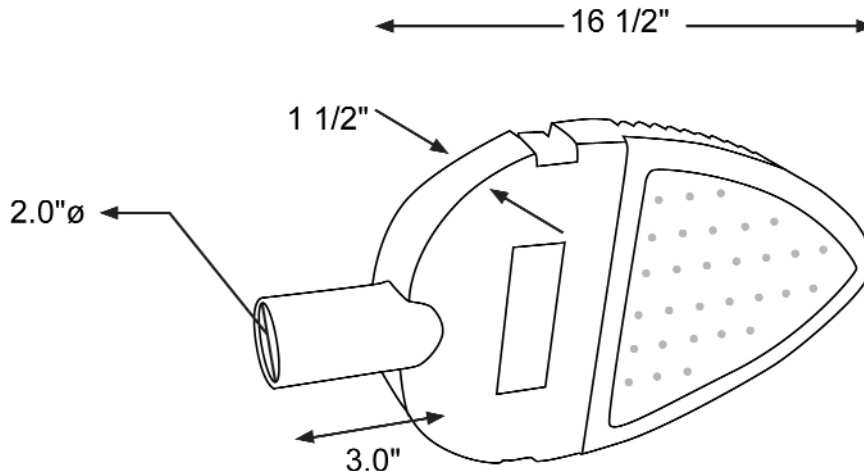
**Housing :** Low copper aluminum die cast.  
Vandal resistance stainless steel screws.  
Silicon gasketed for weather tight operation.

**Diffuser :** Clear glass.

**Electrical :** Voltage : 120  
Lamp: 30, 1 watt LED @ 80 lumen per LED.  
Driver : Class P, Electronics.

**Installation:**  
For wall mount application please see Detail “A”.  
For post mount application please see Detail “B”.

**DIMENSIONS:**



Lumux reserves the right to modify the above details to reflect changes in the cost of materials and/or design without prior notice.

**Lumux - PT3000**

Lumux Lighting Inc	877-895-5552	Rev : A	Drawing Number PT3000
--------------------	--------------	---------	--------------------------

# LUMUX

Date :

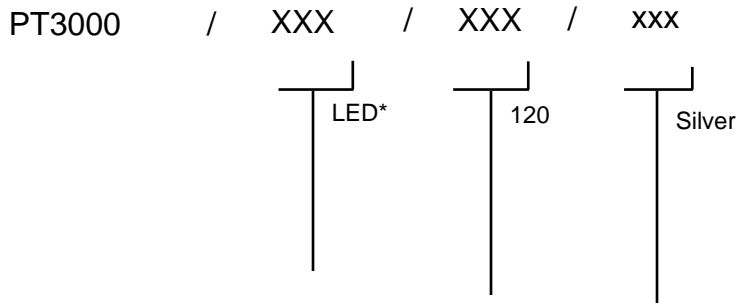
Project :

Type:

Agency :

Distributor :

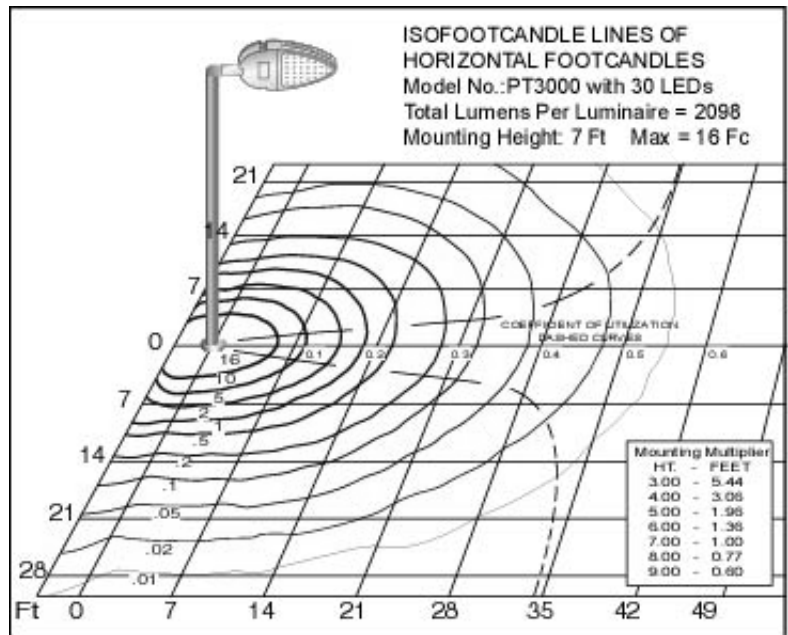
## ORDERING GUIDE:



LED comes with its own integral driver @ 120 volt input voltage.

Lumux - PT3000

## PROJECT NOTES:



HT.	FEET
3.00	5.44
4.00	3.06
5.00	1.96
6.00	1.36
7.00	1.00
8.00	0.77
9.00	0.66

Lumux reserves the right to modify the above details to reflect changes in the cost of materials and/or design without prior notice.

Lumux Lighting Inc	877-895-5552	Rev :A	Drawing Number PT3000
--------------------	--------------	--------	--------------------------