

Date :

Project :

Type:

Agency :

Distributor :



Description : This recessed step light is constructed with Brass cover and galvanized steel recessed housing which could accommodate either (1) 50 watt MR16 or (1) 50 watt G4 lamp or could also be specified with our state-of-the-art LED lamp source. This luminaire is fully gasketed for weather tight application. This unit is ETL listed for wet location.

SPECIFICATION:

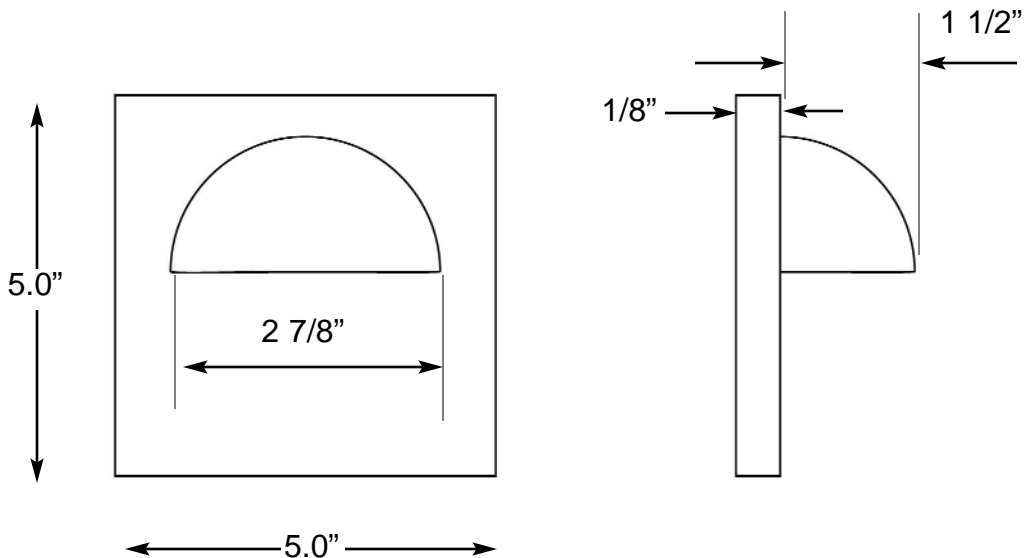
Housing : Brass cover and Galvanized steel housing. Silicon gasketed for weather tight operation. Stainless steel hardware.

Diffuser : clear glass.

Electrical : Voltage : 120 / 277
 Lamp: Incandescent Mr16 or Halogen, LED.
 Socket : G4
 Ballast : Class P, Electronic Ballast

Installation: Unit is provided with its own 4'x4'x2.5 J-Box with its matching 1.0" extension ring(Mud ring).

DIMENSIONS:



Lumux - SL900

Lumux reserves the right to modify the above details to reflect changes in the cost of materials and/or design without prior notice.

Lumux Lighting Inc	877-895-5552	Rev : A	Drawing Number SL900
--------------------	--------------	---------	-------------------------

LUMUX

Date :

Project :

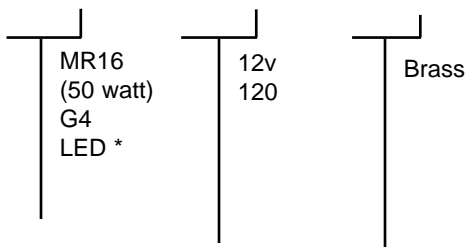
Type:

Agency :

Distributor :

ORDERING GUIDE:

SL900 / XXX / XXX / xxx



* LED has integral driver @ 120 volt

Lumux - SL900

PROJECT NOTES:

Comments

Approval

Lumux reserves the right to modify the above details to reflect changes in the cost of materials and/or design without prior notice.

Lumux Lighting Inc

877-895-5552

Rev :A

Drawing Number
SL900