

# LUMUX

## BOLLARD

### BL100S

The Lumux Bollard ("BL") series is a family of precision engineered, architectural LED bollards offered in a wide variety of form factors. Intended to illuminate a variety of outdoor spaces, whether public or private, the Lumux Bollard line offers multiple light distributions, including 360-degree shielded or unshielded, symmetric, and downward facing light.

The body is constructed from heavy-duty die-cast aluminum or grade 316 stainless-steel, seamlessly integrated with its light source in a sleek, symmetrical design with no visible hardware.

The Lumux Bollard combines form and function, offering architectural grade design while utilizing the highest quality of materials and components, providing long-lasting stability and durability that meets the most rigorous standards.

**Housing:** Heavy-duty construction of corrosion resistant, low copper extruded aluminum. All fasteners are vandal resistant stainless-steel screws.

**Lens:** Sealed one-piece, shatter proof, UV-rated polycarbonate.

**Mounting:** Secures with galvanized anchor bolts.

**Installation:** Mounting footplate (refer to diagram).

**Finish:** Zinc polyester powder coat finish in black, white, silver, bronze, or any custom RAL color. Consult factory for marine grade or anti-microbial finish.

**Driver:** Constant current and universal input voltage 120-277v, starting temperature rated at -20°F. Dimmable option available (0-10v).

**Gasket:** Closed cell silicon foam gasket that seals out moisture, dust, and insects for weather tight operation.

**Protection Class:** IP65, ETL Listed for wet locations.

**Wattage:** 20.1W

**Color Temperature:** 2700K / 3000K / 3500K / 4000K

Delivered Lumens:	2700K	3000K	3500K	4000K
	250 lm	265 lm	280 lm	320 lm

**CRI:** 80 (4000K CRI 70)

**Warranty:** 5 year limited warranty

DATE: \_\_\_\_\_

PROJECT: \_\_\_\_\_

FIRM: \_\_\_\_\_

CATALOG NO.: \_\_\_\_\_

COMMENTS: \_\_\_\_\_



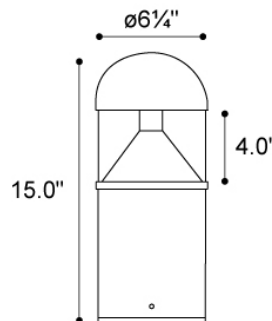
BL100S-R (round top)



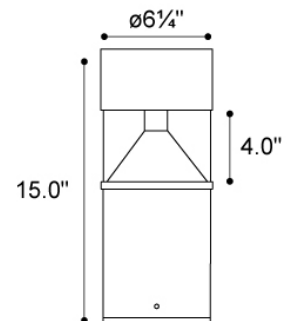
BL100S-F (flat top)



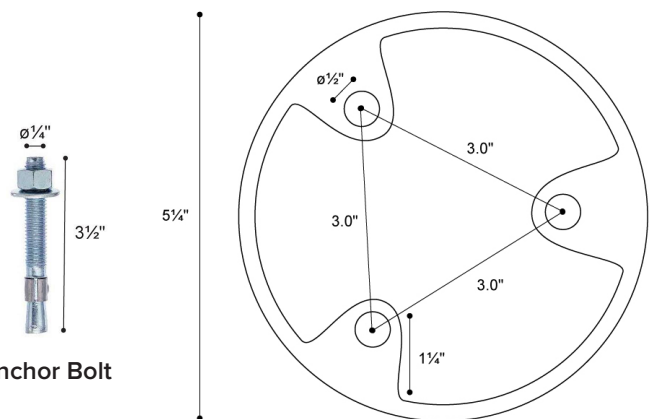
**Dimensions:**



BL100S-R (round top)



BL100S-F (flat top)



Anchor Bolt

Anchor Bolt Pattern

Content of specification sheet subject to change

# LUMUX

## BOLLARD BL100S

DATE:

PROJECT:

FIRM:

CATALOG NO.:

COMMENTS:

### Ordering Guide:

Catalog No.	LED Color	Color Temp <sup>1</sup>	Voltage	Finish	Options <sup>2</sup>
BL100S-R	White	2700K	120-277v	Black	<input type="checkbox"/> Dimmable driver (0-10v)
BL100S-F		3000K		White	
		3500K		Silver	
		4000K		Bronze	
			Custom RAL <sup>2</sup>		

<sup>1</sup>Consult factory for additional options

<sup>2</sup>Consult factory for additional pricing

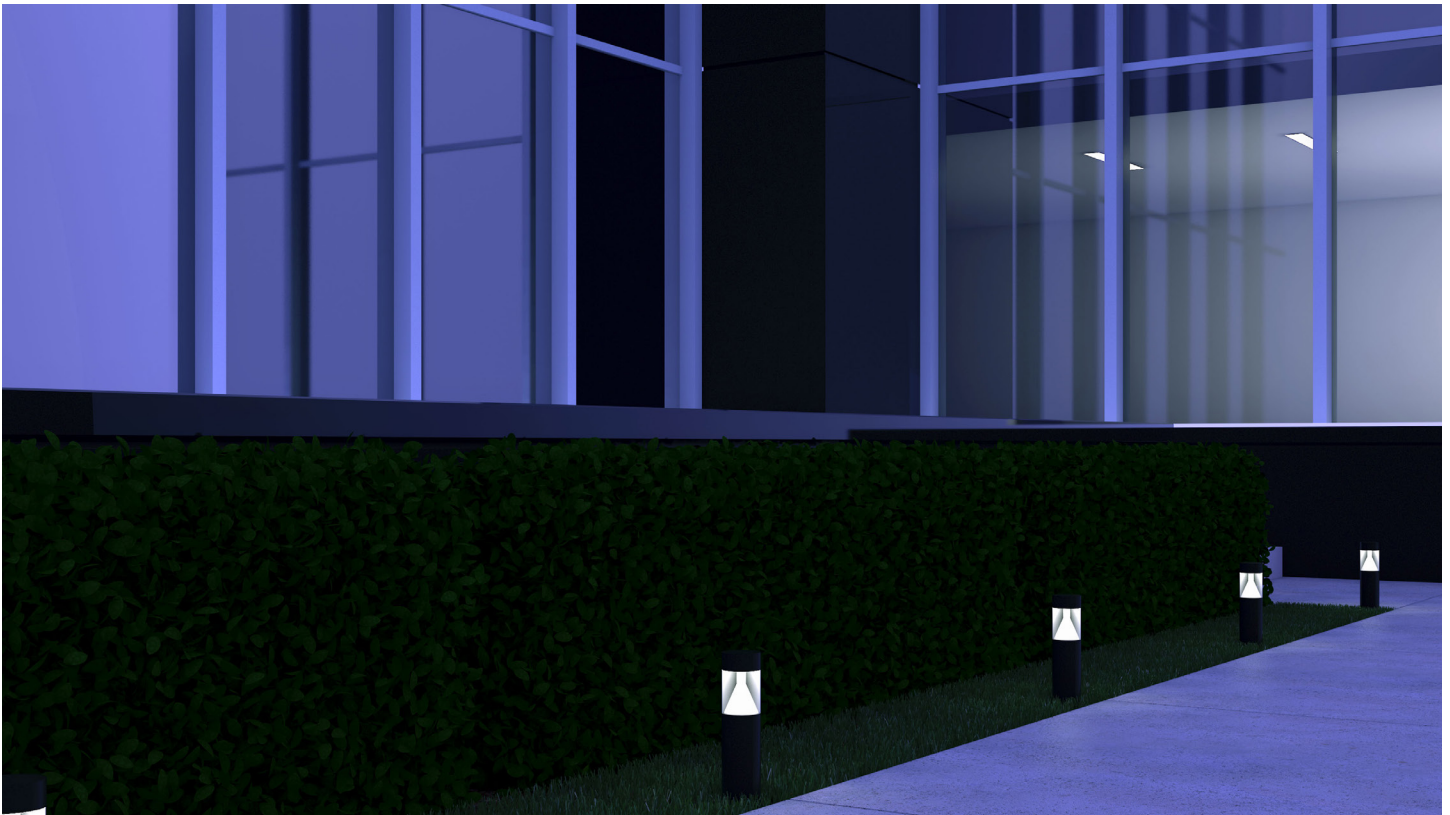
Catalog No.: \_\_\_\_\_

### Performance Specifications

Flux 250 lm (27K) ... 320 lm (40K)	LER 12 - 16 lm/W
Power 20.1W	120-277v input voltage
Starting temp. rated to -20°F	
Dimmable driver (0-10v) option	
Lumen Maintenance* L70-L90 >60,000K hrs	

### Environmental Specifications

BUG rating B0-U2-G1	
CRI 80 (4000K CRI 70)	Color temperature options
IP65	ETL listed for wet-locations
Effective Projected Area 0.8 ft <sup>2</sup>	Marine Grade option
5-year limited warranty	Made in the USA



\*Lumen Maintenance Report (CREE XP-E):  
[https://cree-led.com/media/documents/LM80\\_Results.pdf](https://cree-led.com/media/documents/LM80_Results.pdf)

Content of specification sheet subject to change

# LUMUX

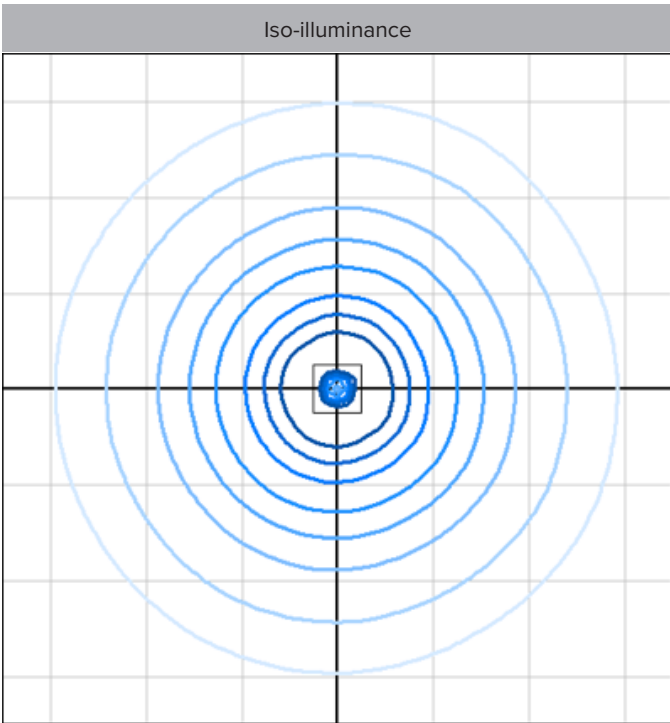
## BOLLARD BL100S

DATE: \_\_\_\_\_  
 PROJECT: \_\_\_\_\_  
 FIRM: \_\_\_\_\_  
 CATALOG NO.: \_\_\_\_\_  
 COMMENTS: \_\_\_\_\_

Photometry	IESNA: LM-63-2002
TEST: BL100S	TEST LAB: n/a
LUMINAIRE: BL100S	DATE: 2014-10-22
IES Classification: Type VS	Long. Class: Very Short
Luminaire Lumens	322 (4000K)
Luminaire Efficacy Rating (LER)	16
Total Luminaire Watts	20.1W
Upward Waste Light Ratio	0.14
Max. Candela	78.42
Max. Cd. < 90° Vertical	78.42
Max. Cd. (At 90 Deg. Vert.)	16.09 (5% Luminaire)
Max. Cd. (80 to <90 Deg. Vert.)	30.46 (9.5% Luminaire)
Cutoff Classification	Cutoff
BUG Rating	B0-U2-G1

Technical aspects may change without notice.

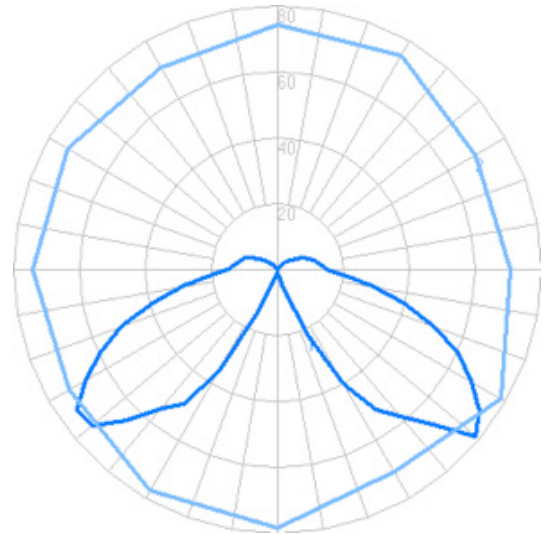
IES Mounting Height for photometry plans: 10" / 0.83'



Foot-candles: 0.1, 0.2, 0.5, 1, 2, 5, 10, 20 | Grid spacing 2'

Sample isoillumination plot. For actual values, use Lumux IES file with photometry software and correct surface reflectances.

### Candela



### Zonal Lumens

LCS	Zone	Lumens	%Lum.
FL	(0-30)	5.1	1.6
FM	(30-60)	72.4	22.5
FH	(60-80)	49.2	15.3
FVH	(80-90)	11.5	3.6
BL	(0-30)	4.8	1.5
BM	(30-60)	73.1	22.7
BH	(60-80)	50.0	15.5
BVH	(80-90)	11.6	3.6
UL	(90-100)	15.3	4.8
UH	(100-180)	28.6	8.9
Total		322	100

