

# LUMUX

## BOLLARD BL700

The Lumux Bollard ("BL") series is a family of precision engineered, architectural LED bollards offered in a wide variety of form factors. Intended to illuminate a variety of outdoor spaces, whether public or private, the Lumux Bollard line offers multiple light distributions, including 360-degree shielded or unshielded, symmetric, and downward facing light. The body is constructed from heavy-duty die-cast aluminum or grade 316 stainless-steel, seamlessly integrated with its light source in a sleek, symmetrical design with no visible hardware. The Lumux Bollard combines form and function, offering architectural grade design while utilizing the highest quality of materials and components, providing long-lasting stability and durability that meets the most rigorous standards.

**Housing:** Heavy-duty construction of corrosion resistant, low-copper extruded aluminum. Top cap fastened to the body with vandal resistant, stainless-steel screws.

**Lens:** Sealed one-piece, shatter proof, UV-rated polycarbonate lens

**Mounting:** Secures with galvanized anchor bolts

**Installation:** Mounting footplate (refer to diagram)

**Finish:** Zinc polyester powder coat finish in black, white, silver, bronze, or any custom RAL color. Consult factory for marine grade or anti-microbial finish.

**Driver:** Constant current and universal input voltage 120/277V, starting temperature rated at -20°F. Dimmable option available (0-10v).

**Gasket:** Closed cell silicon foam gasket that seals out moisture, dust, and insects for weather tight operation.

**Protection Class:** IP65, ETL Listed for wet locations

**Wattage:** 23W

**Color Temperature:** 2700K / 3000K / 3500K / 4000K

**Delivered Lumens:**

2700K	3000K	3500K	4000K
850Lm	880Lm	910Lm	967Lm

**CRI:** 90

**Warranty:** 5 year limited warranty

DATE:

PROJECT:

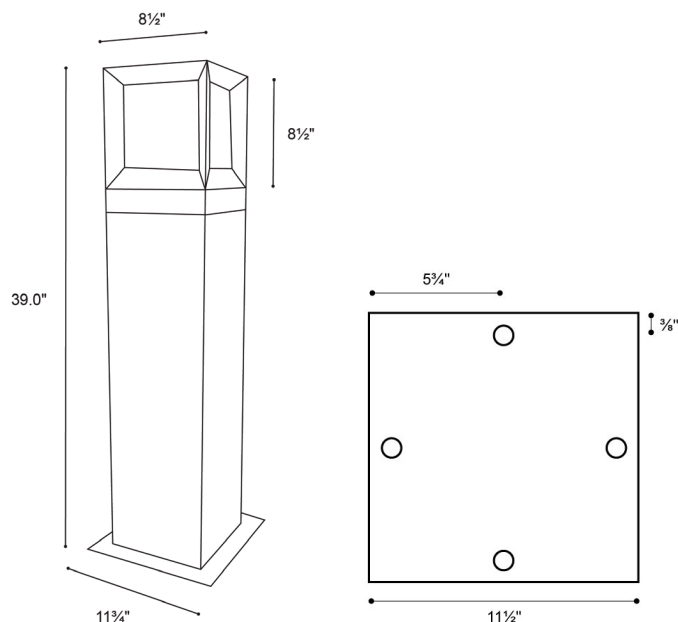
FIRM:

CATALOG NO.:

COMMENTS:



### Dimensions:



Content of specification sheet subject to change

# LUMUX

## BOLLARD BL700

DATE: \_\_\_\_\_  
 PROJECT: \_\_\_\_\_  
 FIRM: \_\_\_\_\_  
 CATALOG NO.: \_\_\_\_\_  
 COMMENTS: \_\_\_\_\_

### Ordering Guide:

Catalog No.	LED Color	Color Temp <sup>1</sup>	Voltage	Finish	Options <sup>2</sup>
BL700	White	2700K	120/277		<input type="checkbox"/> Dimmable driver (0-10v) <input type="checkbox"/> GFCI Dual Recepticle <input type="checkbox"/> Occupancy Sensor
	Amber	3000K		Black	
		3500K		White	
		4000K		Silver	
				Bronze	
				Custom RAL <sup>2</sup>	

<sup>1</sup>Consult factory for additional options  
<sup>2</sup>Consult factory for additional pricing

Catalog No.: \_\_\_\_\_

### Photometrics

