

LUMUX

Date :

Project :

Type:

Agency :

Distributor :

This cylindrical shaped luminaire is constructed from low copper extruded aluminum with the aluminum die cast caps. This unit utilizes frosty poly carbonate diffuser specially treated to be resistive to color deterioration. Silicon gasketed for weather tight application. Three stages Polyester powder coat, chromatization, polyester powder coating and high temperature baking. Specify this aesthetically designed path luminaire instead of specifying traditional bollard unit to further enhance your design looks and its functionality. ETL listed for wet location.

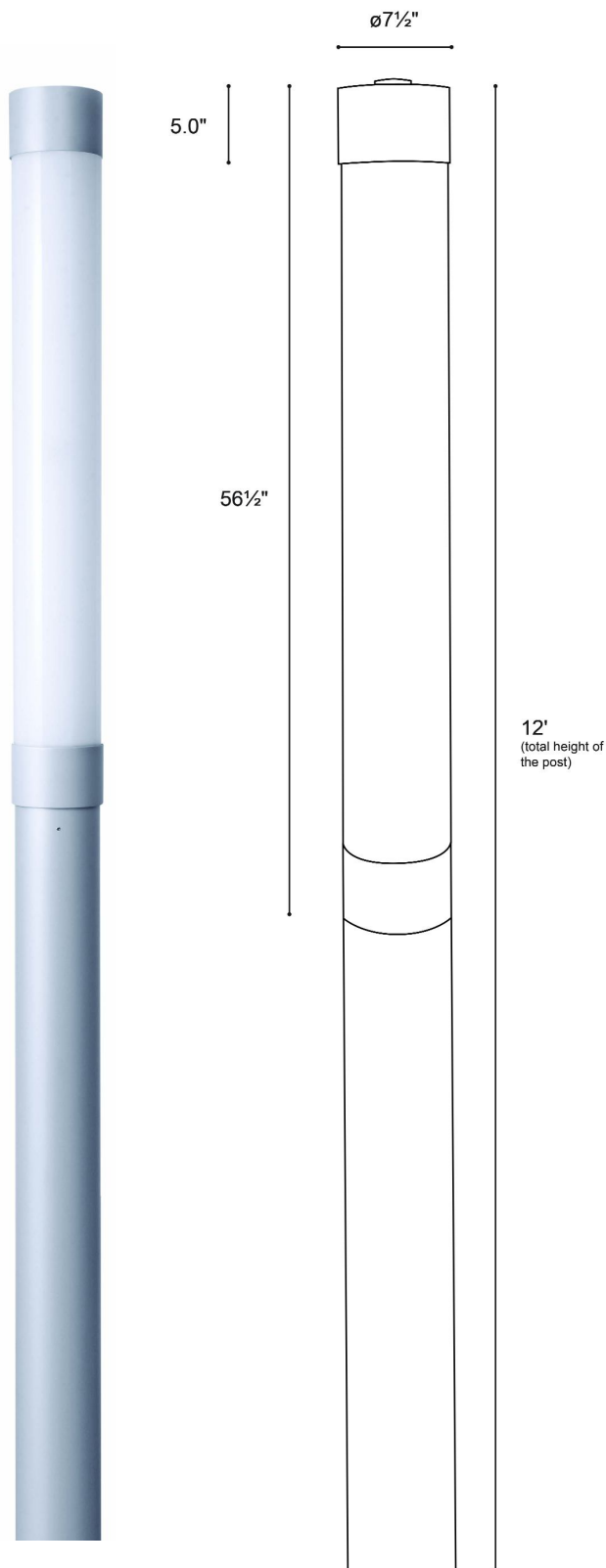
Housing : Low copper aluminum die cast and extruded aluminum. Vandal resistance stainless steel screws. Silicon gasketed for weather tight operation.

Electrical : Voltage : 120 /277
Lamp: (3) T8 32 watt
LED

Diffuser : UV rated Clear polycarbonate.

Installation:

Buried Anchor Bolts Kit are included.



Lumux - PL400

Lumux reserves the right to modify the above details to reflect changes in the cost of materials and/or design without prior notice.

Lumux Lighting Inc	877-895-5552	Rev : A	Drawing Number PL400
--------------------	--------------	---------	-------------------------

LUMUX

Date :

Project :

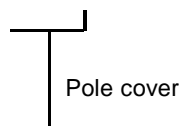
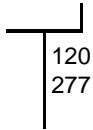
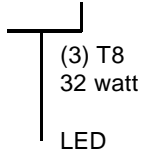
Type:

Agency :

Distributor :

ORDERING GUIDE:

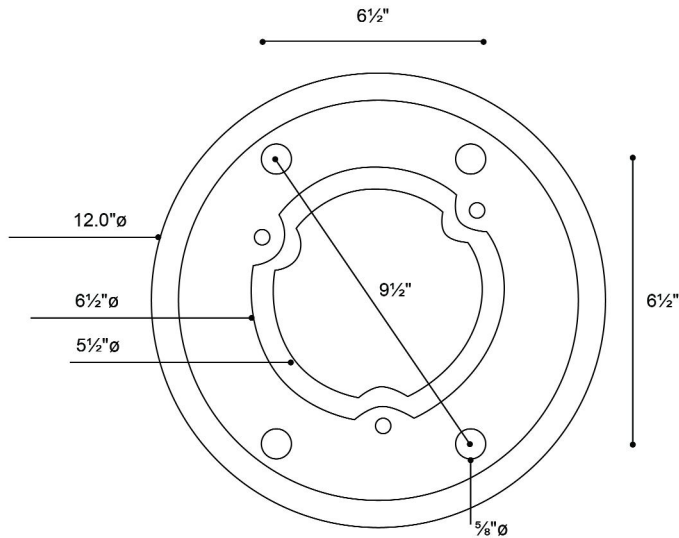
PL400 / XXX / XXX / xxx / Option



Wattage	Voltage	Lumen	CRI	Temp.	B. Angle	Finish	Option
18	120/277	4000	80	4000K	120	Silver	Pole cover

Lumux - PL400

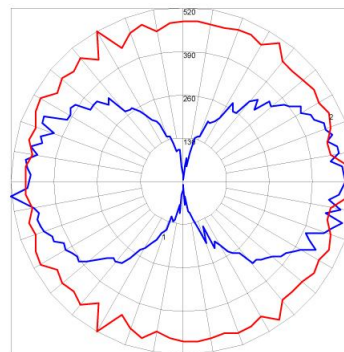
Post Detail:



Light Distribution Pattern

shaft : 6.0" diameter fabricated from high grade Structural steel tube shaft conforms to ASTM-A-501-68 specifications. Meets or exceeds minimum yield strength of 46 PSI wall thickness 11GA as specifies.

Anchorage : (4) anchor bolts fabricated from hot rolled steel bar. Minimum yield strength of 50 PSI. Bolts have "L" bend on one end and are threaded on the other end. Bolts are fully galvanized and are furnished with two nuts and two washers.



Maximum Candela = 519.6 Located At Horizontal Angle = 120, Vertical Angle = 85
 # 1 - Vertical Plane Through Horizontal Angles (120 - 300) (Through Max. Cd.)
 # 2 - Horizontal Cone Through Vertical Angle (85) (Through Max. Cd.)

Lumux reserves the right to modify the above details to reflect changes in the cost of materials and/or design without prior notice.

Lumux Lighting Inc	877-895-5552	Rev :A	Drawing Number PL400
--------------------	--------------	--------	-------------------------