

LUMUX

STEP LIGHTS

SL110H

The Lumux SL100 series is a family of precision engineered, architectural LED step lights that are designed for durability and performance. Constructed from the highest quality materials and components, this step light is offered in a wide array of form factors and grill options to fit any specification. A diecast aluminum body is seamlessly integrated with its faceplate with captive, vandal resistant stainless-steel screws. This step light features a frosty polycarbonate diffuser, reducing glare, and is energy efficient for long-lasting indoor applications (not approved for outdoor use or wet locations). The SL110H is a unique fixture that features two electrical receptacles on the face of the body offering increased functionality.

Housing: Heavy-duty construction of corrosion resistant, low-copper die cast aluminum. Faceplate secured with vandal resistant, stainless-steel screws.

Lens: 1/8" thick shatter-proof frosty polycarbonate diffuser

Mounting: Recessed

Installation: Please refer to installation instructions

Finish: Zinc polyester powder coat finish in black, white, silver, bronze, or any custom RAL color. Consult factory for marine grade or anti-microbial finish.

Driver: Constant current and universal input voltage 120/277V, starting temperature rated at -20°F.

Gasket: Closed cell silicon foam gasket that seals out moisture, dust, and insects for weather tight operation.

Protection Class: IP65, ETL Listed for wet locations

Wattage: 10W

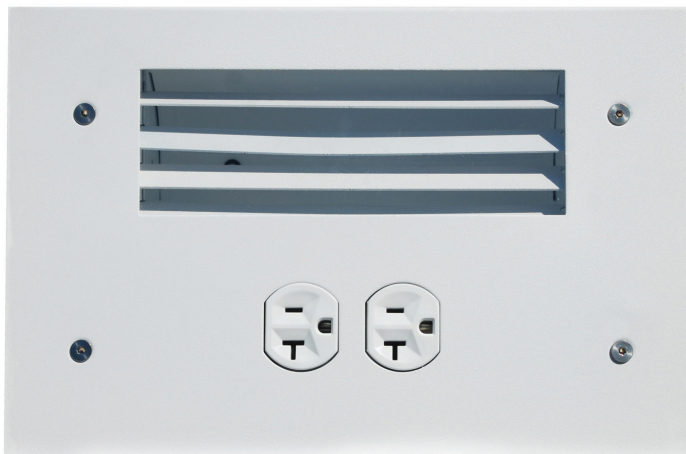
Color Temperature: 2700K / 3000K / 3500K / 4000K

Delivered Lumens: 2700K 3000K 3500K 4000K
320Lm 360Lm 370Lm 400Lm

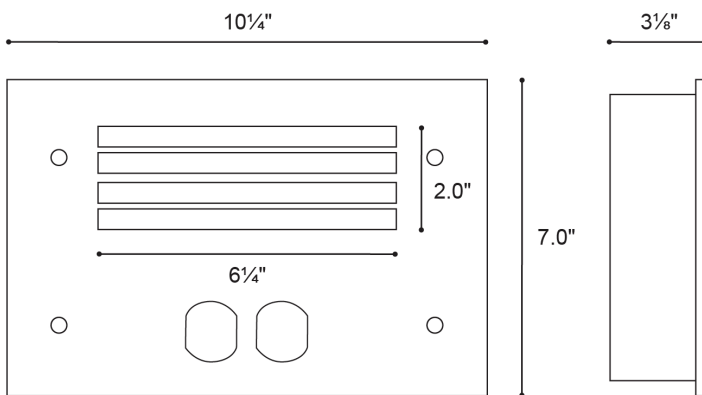
CRI: 90

Warranty: 5 year limited warranty

DATE: _____
PROJECT: _____
FIRM: _____
CATALOG NO.: _____
COMMENTS: _____



Dimensions:



LUMUX

STEP LIGHTS

SL110H

DATE:

PROJECT:

FIRM:

CATALOG NO.:

COMMENTS:

Ordering Guide:

Catalog No.	LED Color	Color Temp ¹	Voltage	Finish
SL110H	White	2700K	120/277	Black
	Blue	3000K		White
	Amber	3500K		Silver
		4000K		Bronze
				Custom RAL ²

¹ Color Temperature applies only to White LED Color

¹ Consult factory for additional options

² Consult factory for additional options

Catalog No.: _____