

LUMUX

UP DOWNS

UD1000

The Lumux UD1000 is a precision engineered architectural LED wall mounted cylinder offering direct and indirect light from a single cylinder in diecast aluminum with no visible hardware in a sleek, symmetrical design. Multiple lighting configurations can be specified – up or down only, or up & down – making it a versatile product for a wide range of applications. The fixture is constructed with the highest quality of specification grade materials and component parts, while a shielded light source enhances visual comfort.

Housing: Heavy-duty construction corrosion resistant, grade 316 stainless-steel.

Lens: 1/8" think shatter proof clear glass diffuser

Mounting: Surface mounted

Installation: Unit's back plate will cover any standard J-Box

Finish: Zinc polyester powder coat finish in black, white, silver, bronze, or any custom RAL color.

Driver: Constant current and universal input voltage 120/277V, starting temperature rated at -20°F. Dimmable option available (0-10v).

Gasket: Closed cell silicon foam gasket that seals out moisture, dust, and insects for weather tight operation.

Protection Class: IP65, ETL Listed for wet locations

Wattage: 21W

Color Temperature: 2700K / 3000K / 3500K / 4000K

Delivered Lumens: 2700K 3000K 3500K 4000K
629Lm 699Lm 816Lm 932Lm

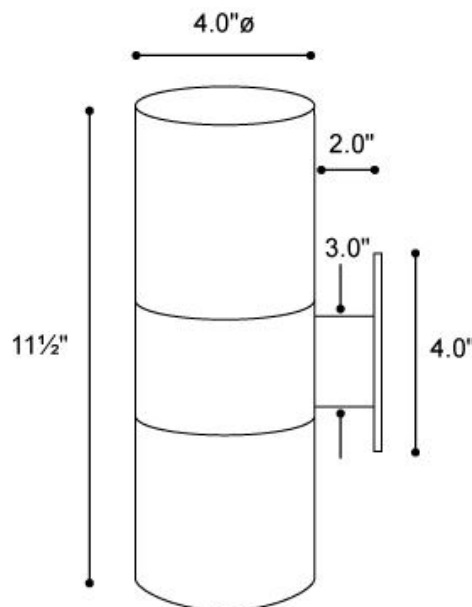
CRI: 90

Warranty: 5 year limited warranty

DATE: _____
PROJECT: _____
FIRM: _____
CATALOG NO.: _____
COMMENTS: _____



Dimensions:



Content of specification sheet subject to change

LUMUX

UP DOWNS

UD1000

DATE:

PROJECT:

FIRM:

CATALOG NO.:

COMMENTS:

Ordering Guide:

Catalog No.	LED Color	Color Temp ¹	Voltage	Finish	Options ²
UD1000	White	2700K	120/277	Stainless Steel	<input type="checkbox"/> Dimmable driver (0-10v) <input type="checkbox"/> Up only <input type="checkbox"/> Down only ³ <input type="checkbox"/> Up & Down
	Blue	3000K		Black	
	Amber	3500K		White	
		4000K		Silver	
				Bronze	
				Custom RAL ²	

¹Color Temperature applies only to White LED Color

¹Consult factory for additional options

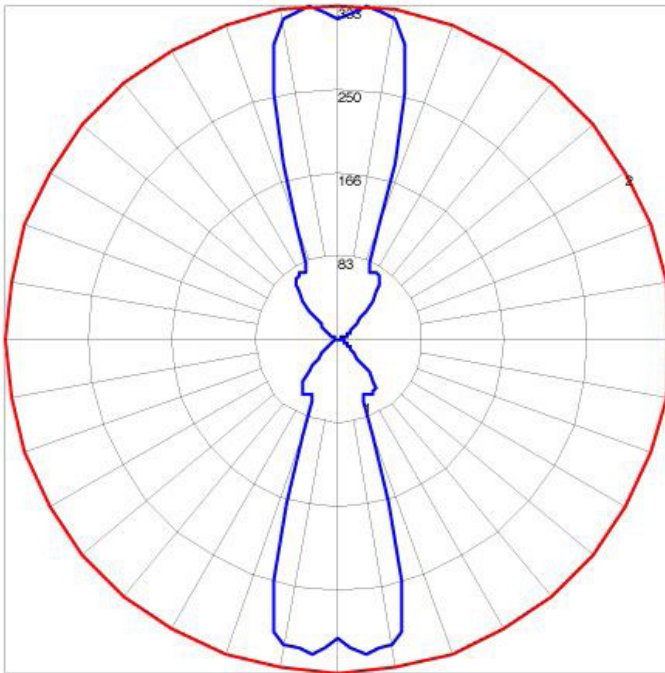
²Consult factory for pricing

³Dark sky compliant and turtle friendly

Consult factory for compact fluorescent options

Catalog No.: _____

Lighting Distribution:



Maximum Candela = 332.7 Located At Horizontal Angle = 0, Vertical Angle = 175
 # 1 - Vertical Plane Through Horizontal Angles (0 - 180) (Through Max. Cd.)
 # 2 - Horizontal Cone Through Vertical Angle (175) (Through Max. Cd.)

Content of specification sheet subject to change