

LUMUX

PATH LIGHTS

WW300

The Lumux Wall Wash ("WW") series is a family of precision engineered, surface mounted LED architectural fixtures that are designed for durability and performance. Constructed from the highest quality materials and components, the WW series is versatile general-purpose luminaire for a variety of applications, such as wall washing, path lighting, landscape lighting, or façade lighting. A die cast aluminum body is fastened with vandal resistant, stainless-steel screws, and offers a frosty glass diffuser to reduce glare and enhance visual comfort. The WW series is energy efficient and durable for long-lasting exterior lighting applications.

Housing: Heavy-duty construction of corrosion resistant, low copper aluminum die cast. All hardware are vandal resistant, stainless-steel screws.

Lens: 1/8" thick shatter proof clear glass diffuser

Mounting: Surface mounted

Installation: Unit is provided with four holes as the bottom of the fixture

Finish: Zinc polyester powder coat finish in black, white, silver, bronze, or any custom RAL color. Consult factory for marine grade or anti-microbial finish.

Driver: Constant current and universal input voltage 120/277V, starting temperature rated at -20°F.

Gasket: Closed cell silicon foam gasket that seals out moisture, dust, and insects for weather tight operation.

Protection Class: IP65, ETL Listed for wet locations

Wattage: 5W

Color Temperature: 2700K / 3000K / 3500K / 4000K

Delivered Lumens:	2700K	3000K	3500K	4000K
	162Lm	180Lm	210Lm	240Lm

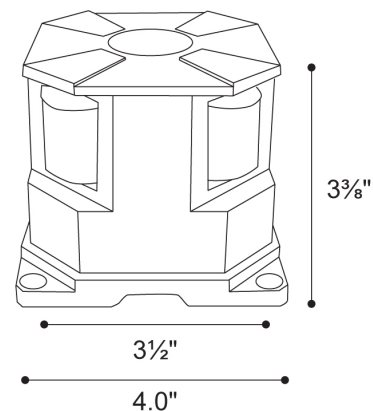
CRI: 90

Warranty: 5 year limited warranty

DATE: _____
PROJECT: _____
FIRM: _____
CATALOG NO.: _____
COMMENTS: _____



Dimensions:



LUMUX

PATH LIGHTS

WW300

DATE:

PROJECT:

FIRM:

CATALOG NO.:

COMMENTS:

Ordering Guide:

Catalog No.	LED Color	Color Temp ¹	Voltage	Finish
WW300	White	2700K	120/277	Black
	Amber	3000K		White
	Blue	3500K		Silver
		4000K		Bronze
				Custom RAL ²

¹Consult factory for additional options

²Consult factory for pricing

Catalog No.: _____