

# LUMUX

Date :

Project :

Type:

Agency :

Distributor :



This rugged ground surface path luminaire is constructed from high pressure die cast aluminum with clear UV stabilized poly carbonate diffuser, The performance of this uniquely designed path luminaire is augmented by its specially designed conic and slanted shaped anodized aluminum reflector. This unit is silicon gasketed for weather tight applications with stainless steel screws. These units go through three stages of powder coating process, Chromatization, UV stabilized polyester powder coating and high temperature baking. This luminaire could be specified for wide spread surface light distribution. ETL listed for wet location application.

## SPECIFICATION:

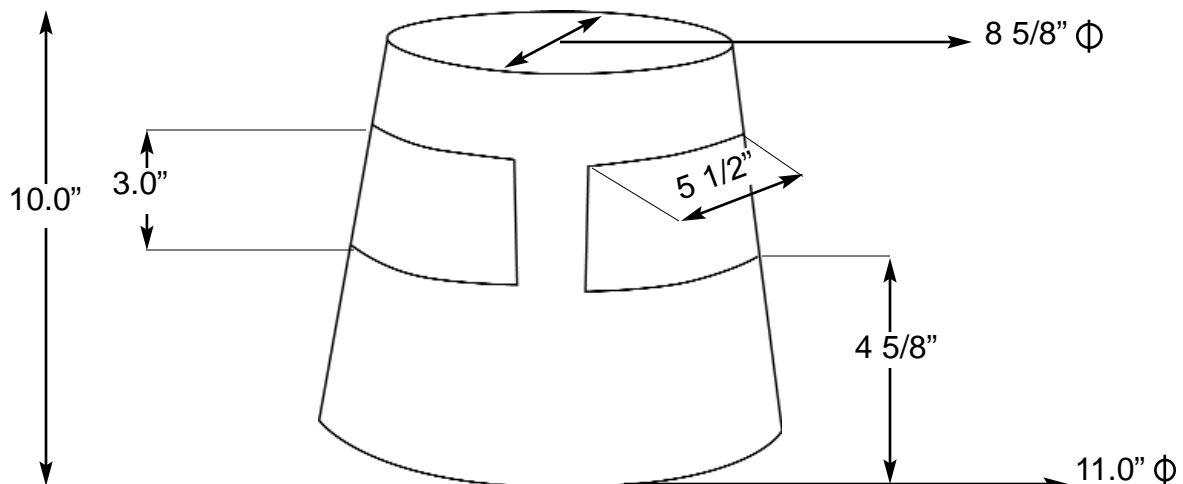
**Housing :** Low copper aluminum die cast and extruded aluminum. Vandal resistance stainless steel screws. Silicon gasketed for weather tight operation.

**Diffuser :** Clear polycarbonate

**Electrical :** Voltage : 120 /277  
Lamp: G12 Socket with T6 lamp in 39 watt and 70 watt Metal Halide.

**Installation:**  
Unit could be used as Bollard or surface ground mounted on any electrical outlet.

## DIMENSIONS:



Lumux - PL300

Lumux reserves the right to modify the above details to reflect changes in the cost of materials and/or design without prior notice.

Lumux Lighting Inc	877-895-5552	Rev : A	Drawing Number PL300
--------------------	--------------	---------	-------------------------

# LUMUX

Date :

Project :

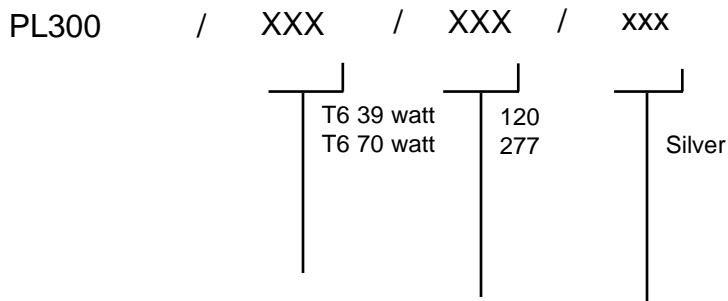
Type:

Agency :

Distributor :

## ORDERING GUIDE:

---



Lumux - PL300

## PROJECT NOTES:

---

### Comments

### Approval

Lumux reserves the right to modify the above details to reflect changes in the cost of materials and/or design without prior notice.

Lumux Lighting Inc

877-895-5552

Rev :A

Drawing Number  
PL300