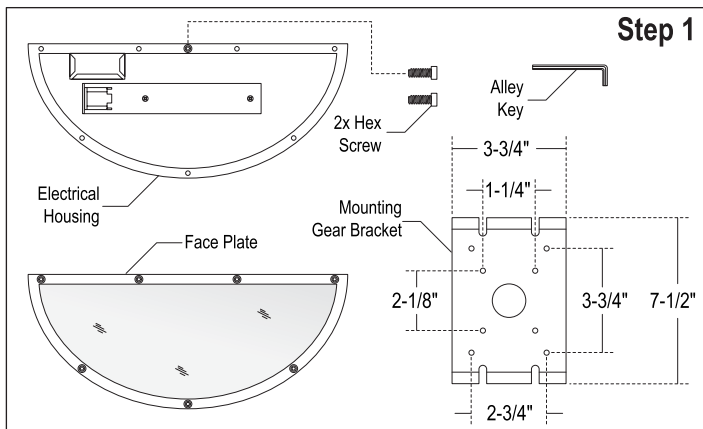


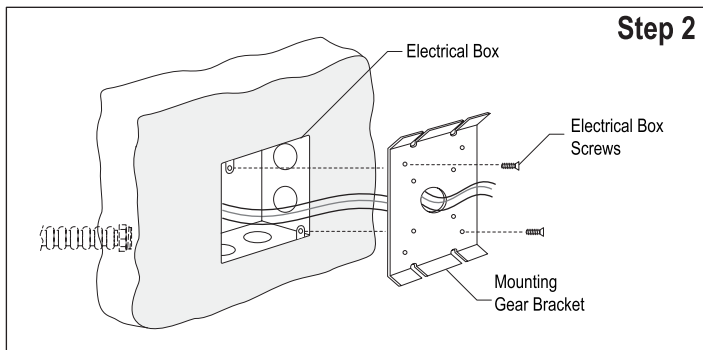
**PREPARING THE LUMINAIRE**

**SURFACE WALL MOUNT LUMINAIRE: UD300**

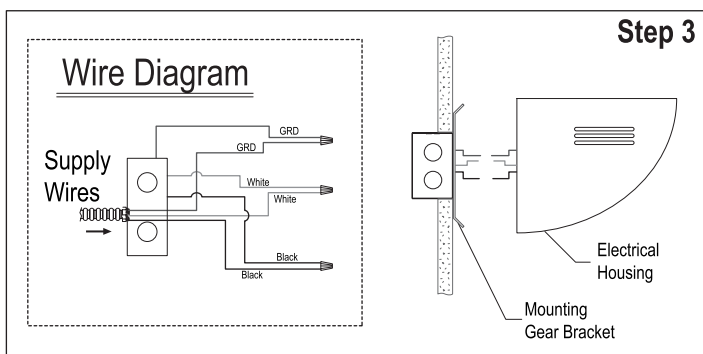
SAVE THIS INSTRUCTIONS



- Step 1 - Remove Luminaire Parts for Installation:**  
 a.- Remove Face Plate using the alley key provided.  
 b.- Remove Gear Bracket from back of Electrical Housing.



- Step 2 - Prepare Wall Surface:**  
 a.- Select desire location to install Electrical Housing.  
 b.- Run the Electrical Wires through the Bracket Hole.  
 c.- Install Gear Bracket using the Screws (by others) as described above.

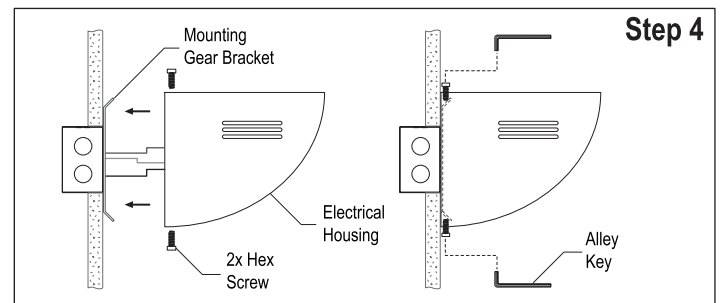


- Step 3 - Make Electrical Connections:**  
 a.- Place Electrical Housing close to mounting surface and make electrical connections, see Wire Diagram.  
 a.- After wiring connections are made, insert all wire through the hole into the Electrical Box.

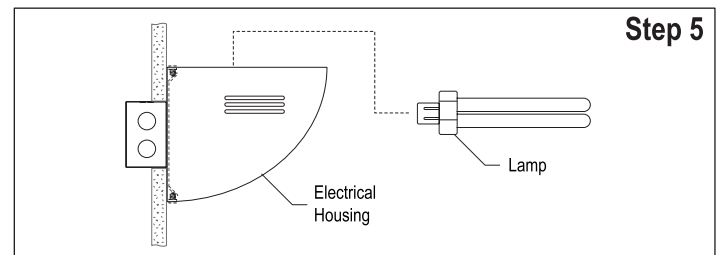
**READ AND UNDERSTAND ALL INSTRUCTIONS BEFORE INSTALLATION. IF YOU ARE NOT FAMILIAR WITH THE NATIONAL ELECTRICAL CODE (NEC), CONTACT A QUALIFIED ELECTRICIAN TO INSTALL THIS LUMINAIRE.**

**WARNING.-** Before installing this luminaire or doing any maintenance, turn off the power supply at the circuit breaker or fuse box. Turning the power off using the light switch is not sufficient to prevent electrical shock.

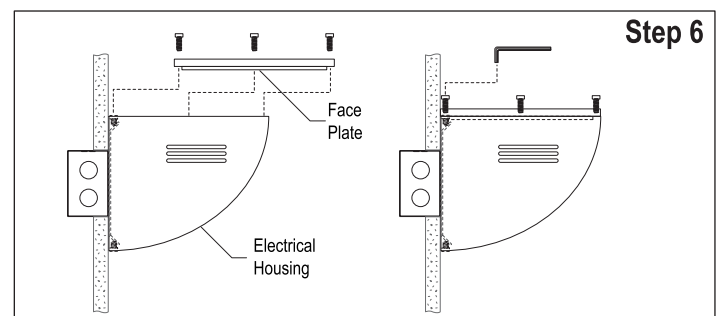
**NOTE:** For re-lamping, replacement parts and additional information, contact or visit manufacturer at [www.lumux.net](http://www.lumux.net)



- Step 4 - Installing Electrical Housing:**  
 a.- Place Electrical Housing onto the Gear Bracket and fasten using the two Hex Screws provided.



- Step 5 - Installing Lamp:**  
 a.- Install proper lamp type and wattage,  
**DO NOT EXCEED RECOMMENDED WATTAGE**



- Step 6 - Installing Face Plate:**  
 a.- Place Face Plate onto the Electrical Housing and fasten using the seven Hex Screws provided.