

LUMUX

BOLLARD BL344

The Lumux Bollard ("BL") series is a family of precision engineered, architectural LED bollards offered in a wide variety of form factors. Intended to illuminate a variety of outdoor spaces, whether public or private, the Lumux Bollard line offers multiple light distributions, including 360-degree shielded or unshielded, symmetric, and downward facing light.

The body is constructed from heavy-duty die-cast aluminum or grade 316 stainless-steel, seamlessly integrated with its light source in a sleek, symmetrical design with no visible hardware. The Lumux Bollard combines form and function, offering architectural grade design while utilizing the highest quality of materials and components, providing long-lasting stability and durability that meets the most rigorous standards.

Housing: Heavy-duty construction of corrosion resistant, low copper extruded aluminum. All fasteners are vandal resistant stainless-steel screws.

Lens: Sealed one-piece, shatter proof, UV-rated polycarbonate lens.

Mounting: Secures with galvanized anchor bolts.

Installation: Mounting footplate (refer to diagram).

Finish: Zinc polyester powder coat finish in black, white, silver, bronze, or any custom RAL color. Consult factory for marine grade or anti-microbial finish.

Driver: Constant current and universal input voltage 120-277v, starting temperature rated at -20°F. Dimmable option available (0-10v).

Gasket: Closed cell silicon foam gasket that seals out moisture, dust, and insects for weather tight operation.

Protection Class: IP65, ETL Listed for wet locations.

CRI: 80

Warranty: 5 year limited warranty

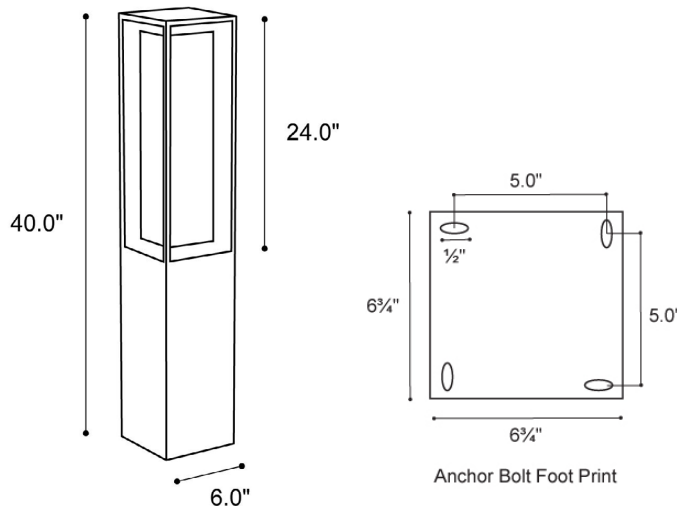
Delivered Lumens & Wattage per color temperature:

2700K	3000K	3500K	4000K	WATTAGE
2100 lm	2100 lm	2100 lm	2100 lm	24W

DATE: _____
PROJECT: _____
FIRM: _____
CATALOG NO.: _____
COMMENTS: _____



Dimensions:



LUMUX

BOLLARD BL344

BL344 bollards have optional 0-10v dimming, GFCI recepticle, and occupancy sensor, and color temperature options.

Ordering Guide

Catalog No.	LED Color	Color Temp ¹	Voltage	Finish	Options ²
BL344	White	2700K	120-277v	Black	<input type="checkbox"/> 0-10v Dimming <input type="checkbox"/> GFCI Dual Recepticle <input type="checkbox"/> Occupancy Sensor
		3000K		White	
		3500K		Silver	
		4000K		Bronze	
				Custom RAL ²	

¹Consult factory for additional options;

²Consult factory for additional pricing.

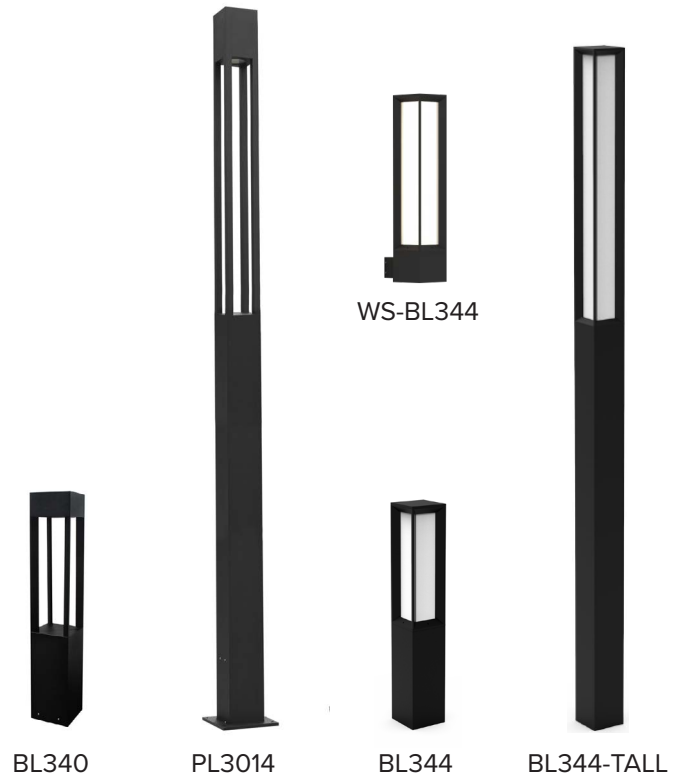
Catalog No.: _____

Performance Specifications	
Flux 2,100 lm (27 - 40K)	LER 88 lm/W
Power 24W	120-277v input voltage
Starting temp. rated to -20°F	GFCI dual recepticle option
Dimmable driver (0-10v) option	Occupancy sensor option
Lumen Maintenance*: L70 >60K hrs; L90 >50K hrs	

Environmental Specifications	
BUG rating B1-U4-G2	
CRI 80	Color temperature options
IP65	ETL listed for wet-locations
Effective Projected Area 2.4 ft2	Marine Grade option
5-year limited warranty	Made in the USA



Luminaires in this series



*Lumen Maintenance Report (CREE CXA2530):
https://cree-led.com/media/documents/LM80_Results.pdf

LUMUX

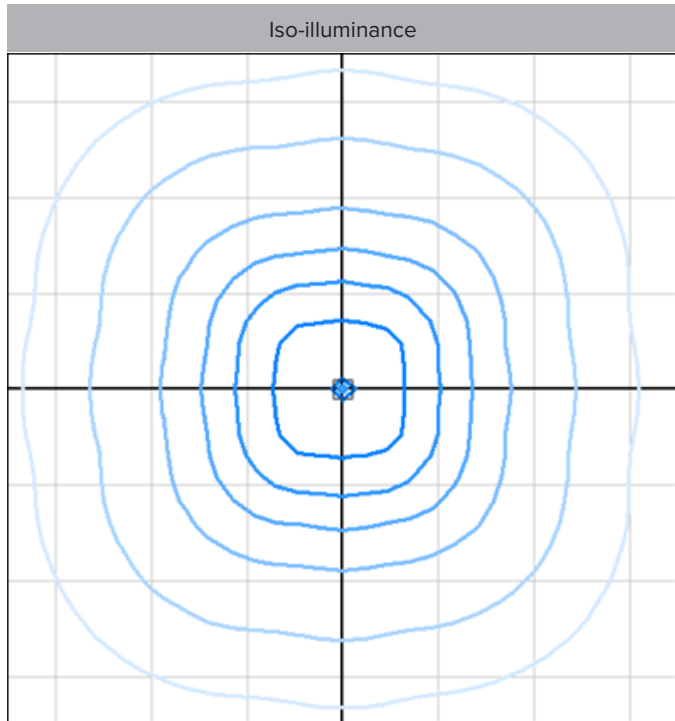
BOLLARD BL344

DATE: _____
 PROJECT: _____
 FIRM: _____
 CATALOG NO.: _____
 COMMENTS: _____

Photometry	IESNA: LM-63-2002
TEST: 14446401.02	TEST LAB: UL LLC
LUMINAIRE: BL344	DATE: 2022-08-19
IES Classification: N.A.	Long. Class: N.A.
Luminaire Lumens	2,107 (4000K)
Luminaire Efficacy Rating (LER)	88
Total Luminaire Watts	23.99W
Upward Waste Light Ratio	0.51
Max. Candela	276.4
Max. Cd. < 90° Vertical	275.6 (100%)
Max. Cd. (At 90 Deg. Vert.)	276 (13.1% Luminaire lumens)
Max. Cd. (80 to <90 Deg. Vert.)	275.6 (13.1% Luminaire lumens)
Cutoff Classification	N.A.
BUG Rating	B1-U4-G2

Technical aspects may change without notice.

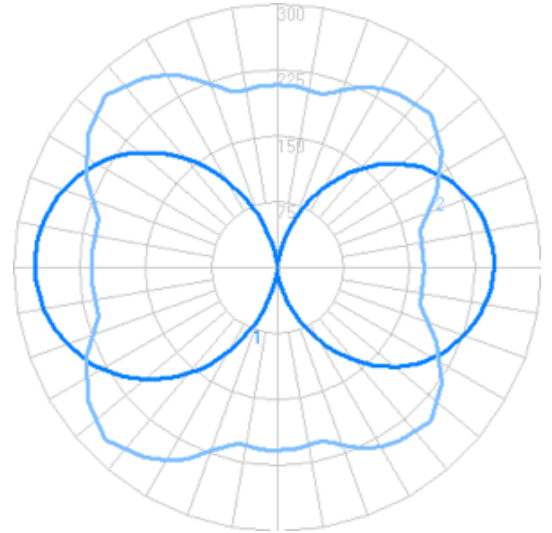
IES Mounting Height for photometry plans: 28" / 2.3'



Foot-candles: 0.1, 0.2, 0.5, 1, 2, 5 | Grid spacing 5'

Sample isoillumination plot. For actual values, use Lumux IES file with photometry software and correct surface reflectances.

Candela



Zonal Lumens

LCS	Zone	Lumens	%Lum.
FL	(0-30)	20.5	1.0
FM	(30-60)	158.1	7.5
FH	(60-80)	197.0	9.3
FVH	(80-90)	113.5	5.4
BL	(0-30)	23.4	1.1
BM	(30-60)	178.5	8.5
BH	(60-80)	221.5	10.5
BVH	(80-90)	127.3	6.0
UL	(90-100)	242.2	11.5
UH	(100-180)	824.7	39.1
Total		2107	100

