

LUMUX

Project :	Type:
-----------	-------

Agency :

Distributor :



Linear designed luminaires fabricated from extruded aluminum post and lamp enclosure with stainless steel fasteners. Tempered frosty glass diffuser. Specify this unit for illumination of pathways, landscape areas, pedestrian areas, shopping malls and plaza entrances. This unit utilizes CREE LED for 120/277 input voltage operation. Powder coat finish will add to the longevity of this unit. IP65 and ETL listed for wet location. Please refer to our ordering guide for all of the finishes available.

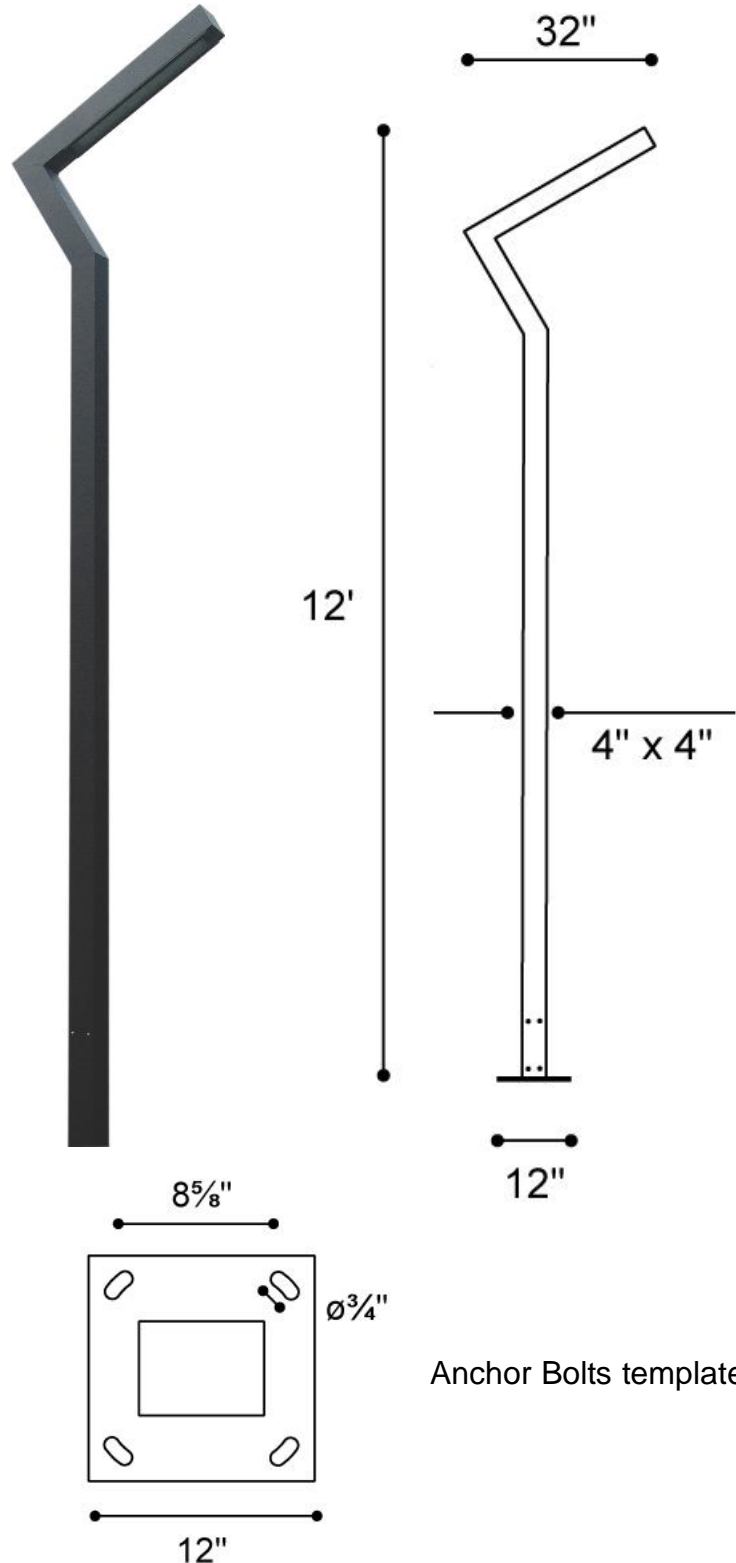
Housing : Extruded aluminum. Vandal resistance stainless steel screws. Silicon gasketed for weather tight operation. Stainless steel fasteners

Electrical : Voltage : 120 /277
Lamp: CREE LED 45 watt.

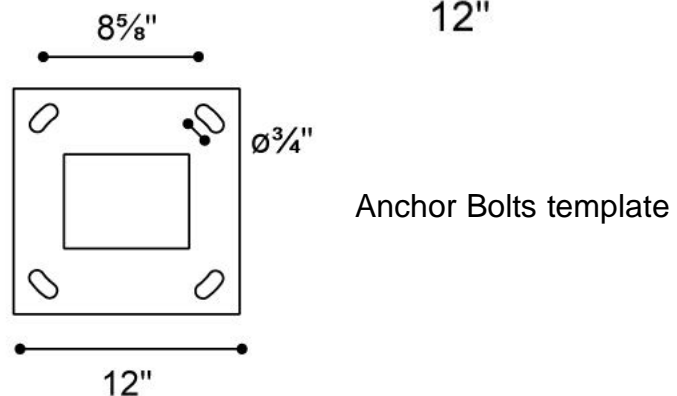
Diffuser : Tempered frosty glass

Installation:

Buried Anchor Bolts Kit are included.



Lumux - PL2016



Anchor Bolts template

Lumux reserves the right to modify the above details to reflect changes in the cost of materials and/or design without prior notice.

Lumux Lighting Inc	877-895-5552	Rev : A	Drawing Number PL2016
---------------------------	---------------------	----------------	---------------------------------

LUMUX

Date :

Project :

Type:

Agency :

Distributor :

ORDERING GUIDE:

PL2016/LED/120-277/Finish

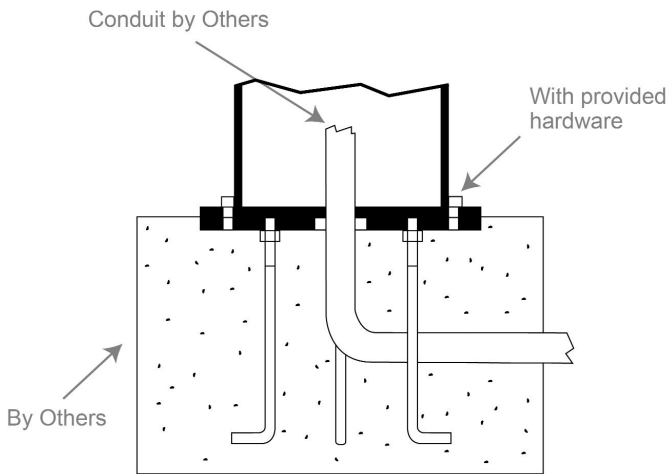
Finish

- Black
- White
- Silver
- D.Bronze
- RAL(optional)

Wattage	Voltage	Lumen	CRI	Temp.	B. Angle	Finish	Option
45	120/277	4000	80	4500K	120	Black White Silver D.Bronze RAL (optional)	Pole cover

Lumux - PL2016

Post Detail:



Anchorage foot print

Post : is fabricated from high grade aluminum extrusion conforms to ASTM-A-501-68 specifications. Meets or exceeds minimum yield strength of 46 PSI.

Anchorage : (4) anchor bolts fabricated from hot rolled steel bar. Minimum yield strength of 50 PSI. Bolts have "L" bend on one end and are threaded on the other end. Bolts are fully galvanized and are furnished with two nuts and two washers.

Lumux reserves the right to modify the above details to reflect changes in the cost of materials and/or design without prior notice.

Lumux Lighting Inc	877-895-5552	Rev :A	Drawing Number PL2016
---------------------------	---------------------	---------------	---------------------------------