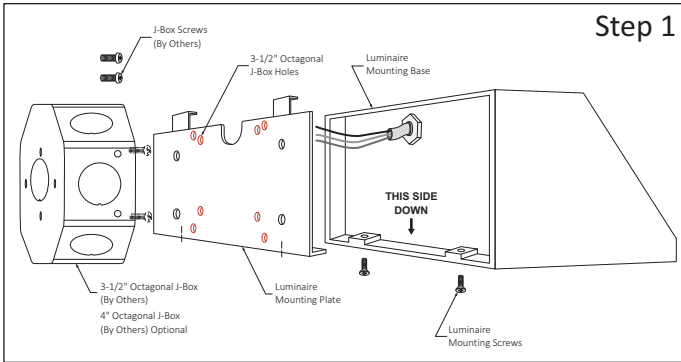


PREPARING THE LUMINAIRE

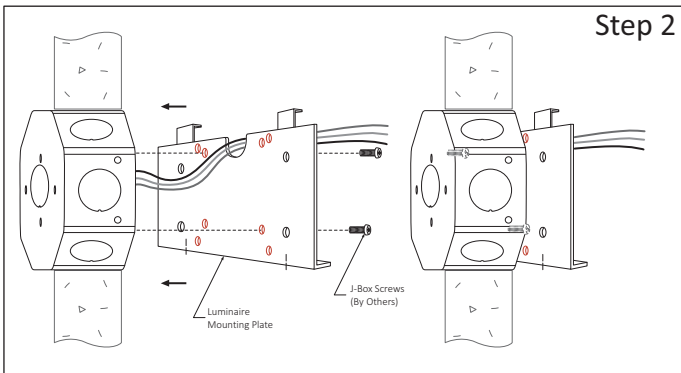
SURFACE WALL MOUNT LUMINAIRE WS-BL355 "LED"

SAVE THIS INSTRUCTIONS



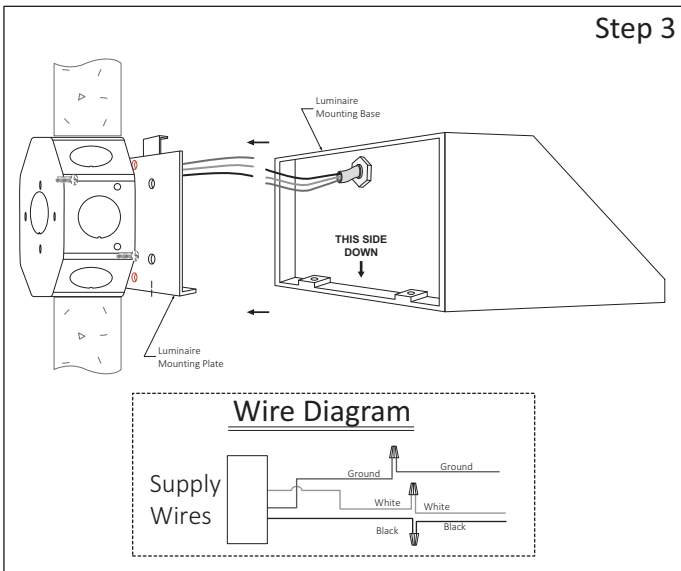
Step 1 - Disassemble Luminaire Parts for easy Installation:

- a.- Remove Mounting Plate to install Luminaire Lamp Enclosure.
- b.- 3-1/2 Octagonal J-Box is recommended to be better cover by the Luminaire Base, use inner holes to install Plate.



Step 2 - Install J-Box Mounting Plate:

- a.- Run Electric Wires through the Hole of Mounting Plate.
- b.- Install the Plate onto the Electrical Box and secure it using two J-Box Screws (By Others).



Step 3 - Make Wiring Connections:

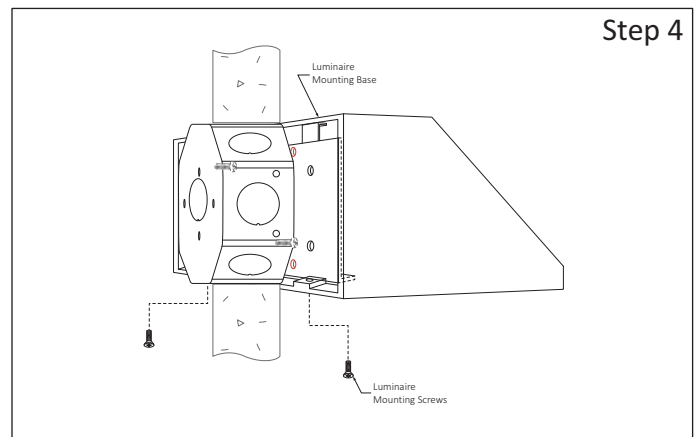
- a.- Make hard-wire connections, see Wire Diagram.
- b.- Place all hard-wire connections into the Electrical Box.

READ AND UNDERSTAND ALL INSTRUCTIONS BEFORE INSTALLATION. IF YOU ARE NOT FAMILIAR WITH THE NATIONAL ELECTRICAL CODE (NEC), CONTACT A QUALIFIED ELECTRICIAN TO INSTALL THIS LUMINAIRE.

WARNING.- Before installing this luminaire or doing any maintenance, turn off the power supply at the circuit breaker or fuse box. Turning the power off using the light switch is not sufficient to prevent electrical shock.

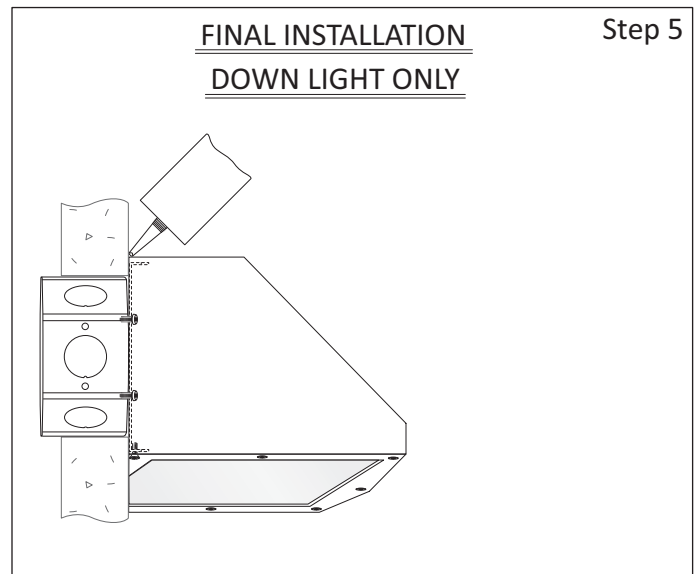
NOTE:

To re-lamp, replacement parts or additional information, contact or visit manufacturer at www.lumux.net



Step 4 - Install Lamp Enclosure:

- a.- Place Luminaire Mounting Base onto the Plate, Align the Holes and fasten using the Flat Head Screws (provided).



Step 5 - Final Installation:

- a.- It is recommended to install Lamp Enclosure Facing Down and apply silicone around the Enclosure for a water seal for Outdoor Application.