

LUMUX

Date :

Project :

Type:

Agency :

Distributor :



Description : The BL1000 bollard luminaires provide efficient low-glare illumination from a highly durable seamless architectural form. This unit is fabricated from extruded low copper aluminum. All hardware is stainless steel. silicon gasketed for weather tight operation. Anchor bolts are provided. Unit could be specified in Black, Silver, White or Dark Bronze. Unit complies with "Made in USA" provision. ETL listed for wet locations. IP65 rated.

SPECIFICATION:

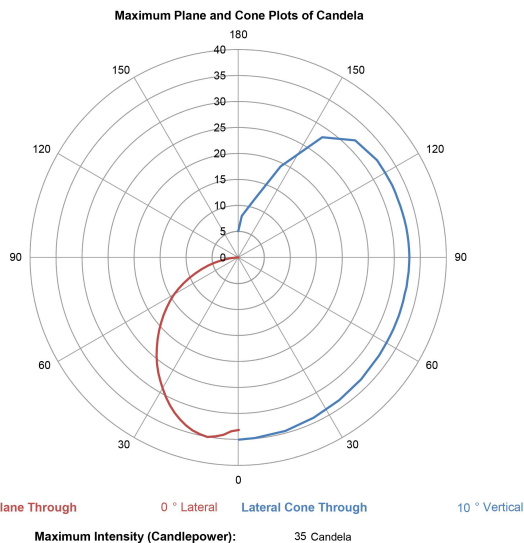
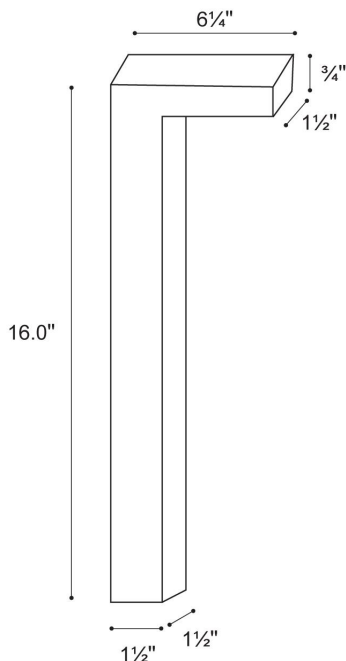
Housing : Extruded low copper aluminum.
Vandal resistance stainless steel screws.
Silicon gasketed for weather tight operation.

Diffuser : Frosty Lens.

Electrical : 12Volt DC
Lamp: LED

Installation:
Unit is provided with anchor bolts.

DIMENSIONS:



Lumux - BL1000

Lumux reserves the right to modify the above details to reflect changes in the cost of materials and/or design without prior notice.

Lumux Lighting Inc

877-895-5552

Rev : A

Drawing Number
BL1000

LUMUX

Date :

Project :

Type:

Agency :

Distributor :

ORDERING GUIDE:

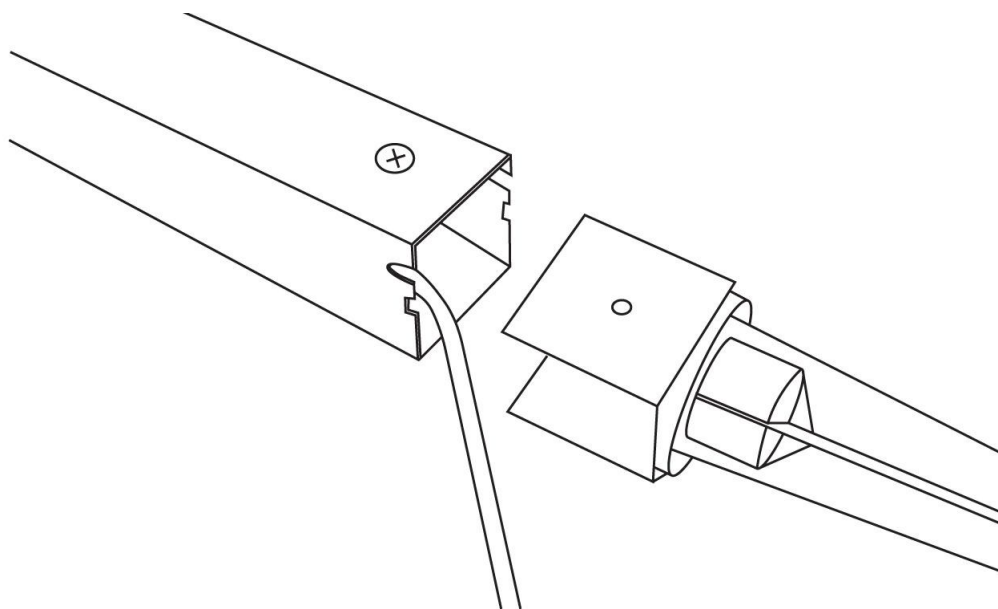
BL1000/LED/12vdc/Finish

Wattage	Voltage	Lumen	CRI	Temp.	B. Angle	Finish
3	12VDC	82	80	3500K	120	Black White Silver D.Bronze RAL (optional)

Lumux - BL1000

PROJECT NOTES:

Spike installation



Lumux reserves the right to modify the above details to reflect changes in the cost of materials and/or design without prior notice.

Lumux Lighting Inc

877-895-5552

Rev :A

Drawing Number
BL1000