

LUMUX

LIGHT COLUMN

PL2014-2

DATE: _____
 PROJECT: _____
 FIRM: _____
 CATALOG NO.: _____
 COMMENTS: _____

The Lumux PL2014-2 is an elegant, architectural light column that excels at defining spaces, both in the day time and at night. It offers a distinctive contemporary yet minimalistic design and is ideal for illuminating large areas as well as path lighting.

A powerful outdoor LED solution, the PL2014-2 offers high performance, while downward facing light maximizes visual comfort and reduces glare. It is constructed from heavy-duty aluminum die-cast, providing long-lasting stability and durability that meets the highest standards. This luminaire is offered in single (PL2014) or twin (PL2014-2) versions, and in 10' or 12' heights.

Housing: Heavy-duty construction corrosion resistant, low-copper extruded aluminum. All fasteners are vandal resistant, stainless-steel.

Lens: Sealed one-piece, shatter-proof, clear glass diffuser.

Mounting: Secures with galvanized anchor bolts.

Installation: Please refer to installation instructions.

Finish: Zinc polyester powder coat finish in black, white, silver, bronze, or any custom RAL color. Consult factory for marine grade or anti-microbial finish.

Driver: Constant current and universal input voltage 120-277v, starting temperature rated at -20°F.

Gasket: Closed cell silicon foam gasket that seals out moisture, dust, and insects for weather tight operation.

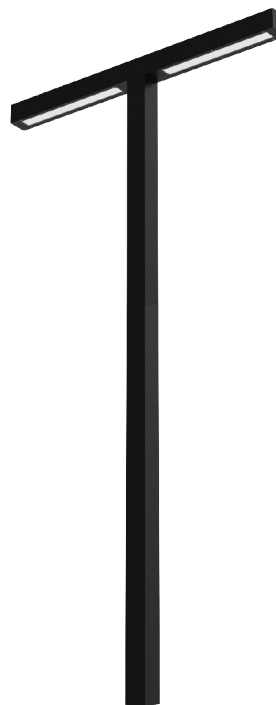
Protection Class: IP65, ETL Listed for wet locations.

CRI: 70

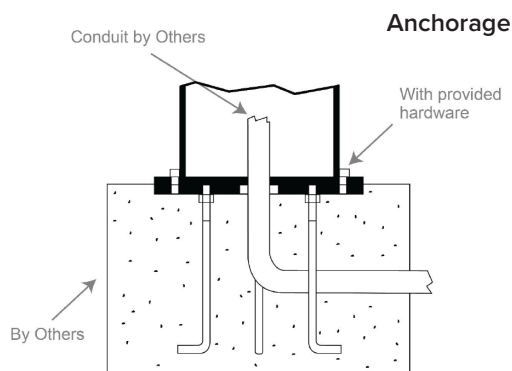
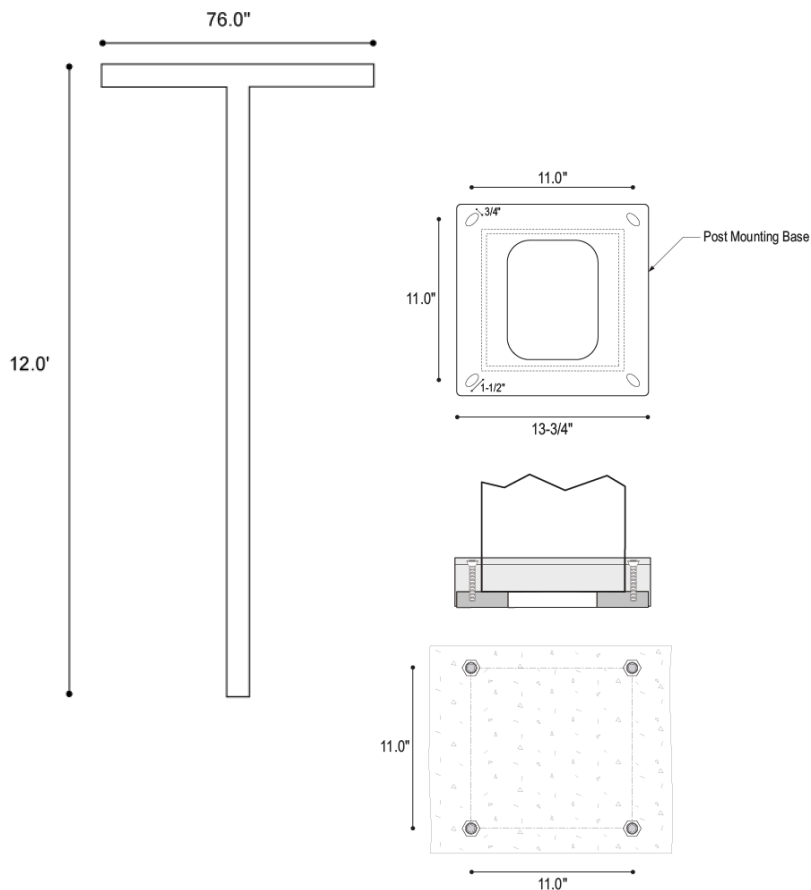
Warranty: 5 year limited warranty

Delivered Lumens & Wattage per color temperature:

2700K	3000K	3500K	4000K	WATTS
12,900 lm	13,500 lm	13,500 lm	13,500 lm	164W



Dimensions:



Content of specification sheet subject to change

LUMUX

LIGHT COLUMN

PL2014-2

PL2014-2 is an elegant dual-arm, tall, height-configurable plaza, path and driveway light with a modern design, perfect for area lighting.

Ordering Guide

Catalog No.	LED Color	Color Temp ¹	Voltage	Finish ²	Options ²
PL2014-2-10 (10' height)	White	2700K	120-277v	Black	<input type="checkbox"/> 0-10v dimming <input type="checkbox"/> GFCI Dual Recepticle <input type="checkbox"/> Occupancy Sensor
PL2014-2-12 (12' height)		3000K		White	
	3500K	Silver			
	4000K	Bronze			
			Custom RAL		

¹Consult factory for additional options

²Consult factory for additional pricing

Catalog No.: _____

Performance Specifications	
Flux 12,900 lm (27K) ...13,500 lm (30-40K)	LER 79 ... 83 lm/W
Power 164W	120-277v input voltage
Starting temp. rated to -20°F	GFCI dual recepticle option
Dimmable driver (0-10v) option	Occupancy sensor option
Lumen Maintenance*: L70-L90 >36,000 hrs	

Environmental Specifications	
BUG rating: B3-U3-G1	
CRI 70	Color temperature options
IP65	ETL listed for wet-locations
Effective Projected Area 7.4 ft ²	Marine Grade option
5-year limited warranty	Made in the USA



Luminaires in this series



PL2014 BL350 BL350S PL2014-2 BL350-2

*Lumen Maintenance Report: CREE XLamp XP-G2

Content of specification sheet subject to change

LUMUX

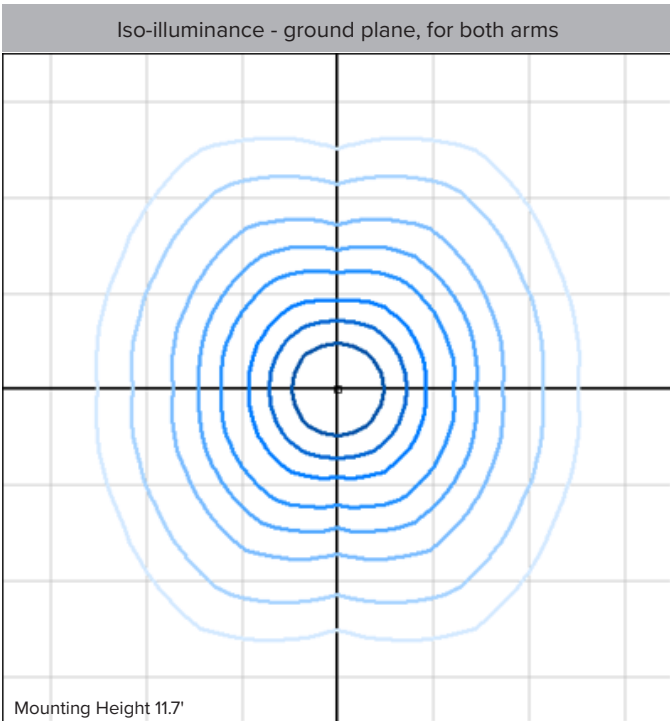
LIGHT COLUMN

PL2014-2

DATE: _____
 PROJECT: _____
 FIRM: _____
 CATALOG NO.: _____
 COMMENTS: _____

Photometry - per arm	IESNA: LM-63-2002
TEST: 03	TEST LAB: UL Test Lab
LUMINAIRE: PL2014	DATE: 2022-02-18
IES Classification: VS	Long. Class: Very Short
Luminaire Lumens	13497 (4000K)
Luminaire Efficacy Rating (LER)	83
Total Luminaire Watts	163.4W
Upward Waste Light Ratio	0.00
Max. Candela	5636.68
Max. Cd. < 90° Vertical	5636.68
Max. Cd. (At 90 Deg. Vert.)	20.572 (0.2% Luminaire)
Max. Cd. (80 to <90 Deg. Vert.)	38713 (2.9% Luminaire)
Cutoff Classification	N.A.
BUG Rating	B3-U3-G1

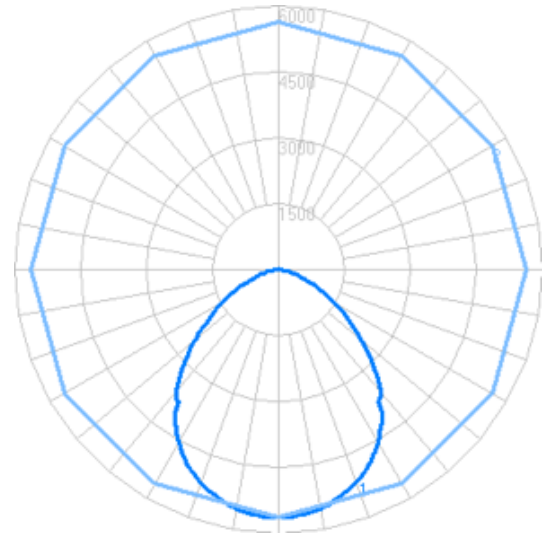
Technical aspects may change without notice.



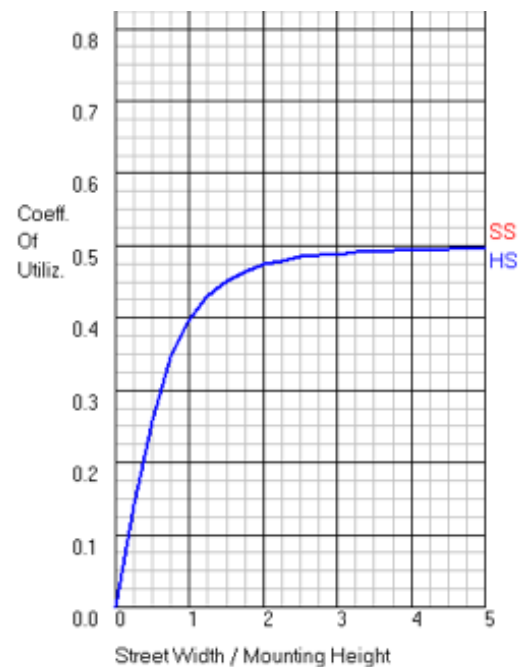
Foot-candles: 0.1, 0.2, 0.5, 1, 2, 5, 10, 20 | Grid spacing 15'

Sample isoilluminance plot. For actual values, use Lumux IES file with photometry software and correct surface reflectances.

Candela - per arm



Coeff. of Utilization	Flux	%
Downward Street Side	6715	49.8
Downward House Side	6715	49.8
Downward Total	13430	99.5
Upward Street Side	33.7	0.2
Upward House Side	33.7	0.2
Upward Total	67.4	0.5
Total Flux	13497.4	100



Content of specification sheet subject to change