

# LUMUX

## UP/DOWN LUMINAIRES UD400 SERIES

DATE: \_\_\_\_\_  
 PROJECT: \_\_\_\_\_  
 FIRM: \_\_\_\_\_  
 CATALOG NO.: \_\_\_\_\_  
 COMMENTS: \_\_\_\_\_

Lumux UD400 Series luminaires are precision engineered architectural LED wall sconces offering direct and indirect light. These luminaires are made of diecast aluminum with no visible hardware in a sleek, symmetrical design.

Multiple lighting configurations can be specified – up or down only, or up & down – making it a versatile product for a wide range of applications. The fixture is constructed with the highest quality of specification grade materials and component parts, while a shielded light source enhances visual comfort. UD400 series luminaires are offered as a 30° spot or 60° wide flood light.

**Housing:** Heavy-duty construction of corrosion resistant, low-copper die cast aluminum. Step baffle frame encloses lens that is secured with vandal resistant, stainless-steel screws.

**Lens:** 1/8" thick shatter-proof clear glass diffuser.

**Mounting:** Surface mounted.

**Installation:** Mounting canopy covers any standard J-Box.

**Finish:** Zinc-polyester powdercoat finish in black, white, silver, bronze, or any custom RAL color. Consult factory for marine grade or anti-microbial finish.

**Driver:** Constant current and universal input voltage 120-277v, starting temperature rated at -20°F. 0-10v dimming with power and colour tuning options.

**Gasket:** Closed cell silicon foam gasket that seals out moisture, dust, and insects for weather tight operation.

**Protection Class:** IP65, ETL Listed for wet locations.

**CRI:** 80

**Warranty:** 5 year limited warranty.

**Delivered Lumens & Wattage per color temperature:**

	3000K	4000K	5000K	WATTS*	LER 40K
UD420	550	600	600	6W	101 lm/W
	850	900	900	9W	101 lm/W
	1100	1150	1150	12W	101 lm/W
UD430	2100	2300	2300	25W	94 lm/W
UD440	2100	2300	2300	25W	94 lm/W

\* Nominal Wattage. UD420 is available with field-selectable 6W, 9W and 12W lumen options. UD430 & UD440 are available in a 25W lumen package.

For other lumen packages and color temperatures, please consult with the Lumux sales team.



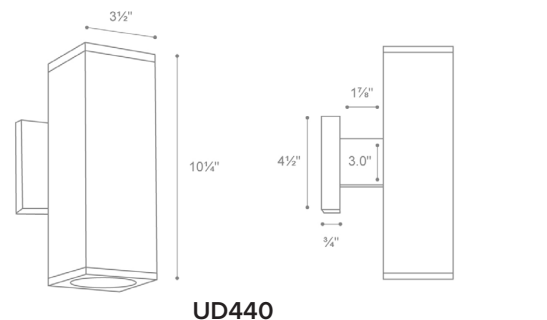
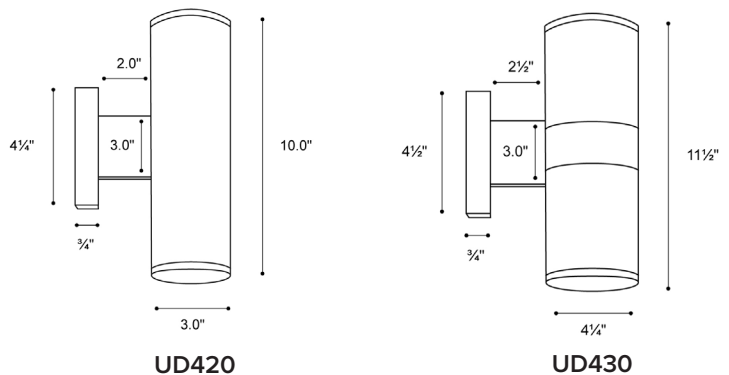
**UD430**  
11.5" Tall  
Cylindrical

**UD420**  
10" Tall  
Cylindrical

**UD440**  
10.25" Tall  
Rectangular



### Luminaire Housing Dimensions:



# LUMUX

## UP/DOWN LUMINAIRES UD400 SERIES

The UD400 Series features high-efficacy up/down luminaires with beam angle, power, and color temperature options.

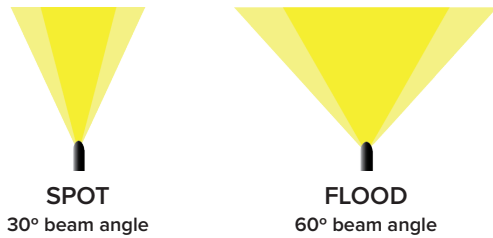
### Ordering Guide

Catalog No.	Wattage*	Beam Angle	LED Color	Color Temp <sup>1</sup>	Voltage	Finish	Options <sup>2</sup>
UD420	6W	30°	White	3000K	120-277v	Black	<input type="checkbox"/> Downlight only <input type="checkbox"/> Uplight only
UD430	9W	60°		4000K		White	
UD440	12W			5000K		Silver	
	25W					Bronze	
						Custom RAL <sup>2</sup>	

<sup>1</sup>Consult factory for additional options;  
color temp applies to white light only.

<sup>2</sup>Consult factory for additional pricing.

Catalog No.: \_\_\_\_\_



Beam Angle Options

### Performance & Environmental Specifications

120-277v input voltage	0-10v dimming integrated
Starting temp. rated to -20°F	Up & Down lighting options
IP65; ETL listed for wet-locations	CRI 80; selectable color temp.
Effective Projected Area: <0.5 sq.ft.	Marine Grade option
5-year limited warranty	Made in the USA



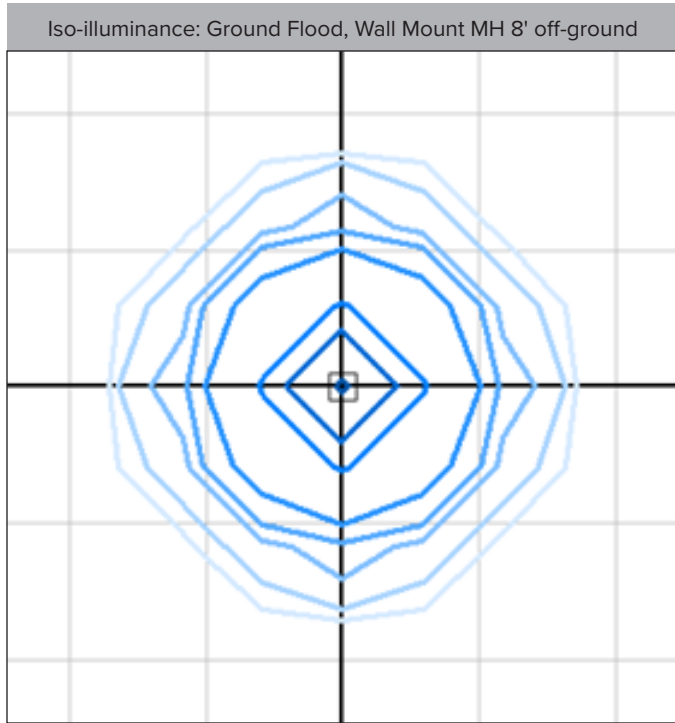
# LUMUX

## UP/DOWN LUMINAIRES UD420 - 30° BEAM

DATE: \_\_\_\_\_  
 PROJECT: \_\_\_\_\_  
 FIRM: \_\_\_\_\_  
 CATALOG NO.: \_\_\_\_\_  
 COMMENTS: \_\_\_\_\_

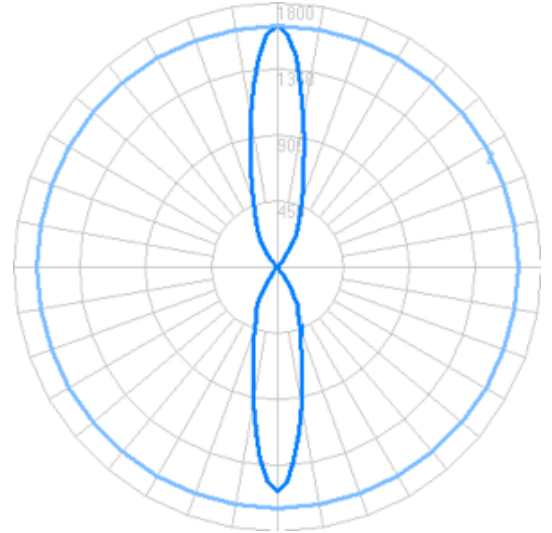
Photometry	IESNA: LM-63-2002
TEST: 14626184.01	TEST LAB: UL Verification Svs
LUMINAIRE: UD420	DATE: 2023-01-06
IES Classification: n/a	Longitudinal Class: n/a
Luminaire Lumens	1156 (4000K)
Luminaire Efficacy Rating (LER)	100 lm/W
Total Luminaire Watts	11.53W
Upward Waste Light Ratio	0.52
Max. Candela	1643.2
Max. Cd. < 90° Vertical	1521.8
Max. Cd. (At 90 Deg. Vert.)	1.4 (0.1% Luminaire)
Max. Cd. (80 to <90 Deg. Vert.)	2 (0.2% Luminaire)
Cutoff Classification: N.A.	BUG Rating: B1-U4-G0

Technical aspects may change without notice.



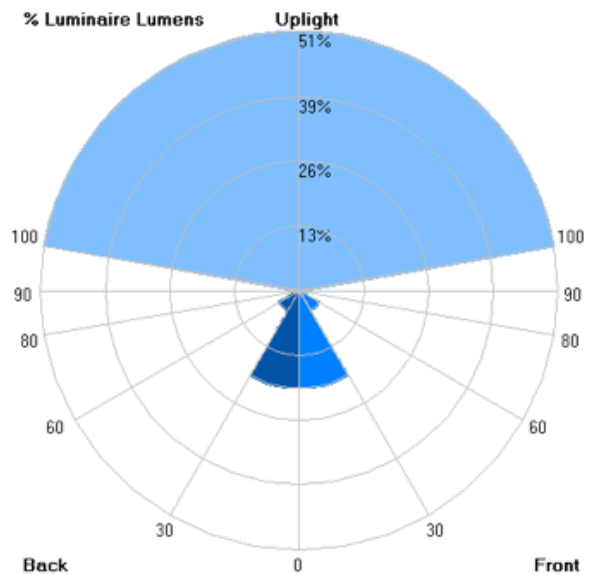
Foot-candles: 0.1, 0.2, 0.5, 1, 2, 5, 10 | Grid spacing 5'

### Candela



### Zonal Lumens - Wall Mount

LCS	Zone	Lumens	%Lum.
FL	(0-30)	224.9	19.4
FM	(30-60)	52.2	4.5
FH	(60-80)	3.4	0.3
FVH	(80-90)	0.9	0.1
BL	(0-30)	224.9	19.4
BM	(30-60)	52.2	4.5
BH	(60-80)	3.4	0.3
BVH	(80-90)	0.9	0.1
UL	(90-100)	1.7	0.1
UH	(100-180)	596.2	51.4
Total		1161	100



### LUMUX LIGHTING

Sample isoilluminance plots. For actual values, use Lumux IES file with photometry software and correct surface reflectances.

7803 Industry Ave, Pico Rivera, CA 90660  
 sales@lumux.com | 562-801-5100

Content of specification sheet subject to change

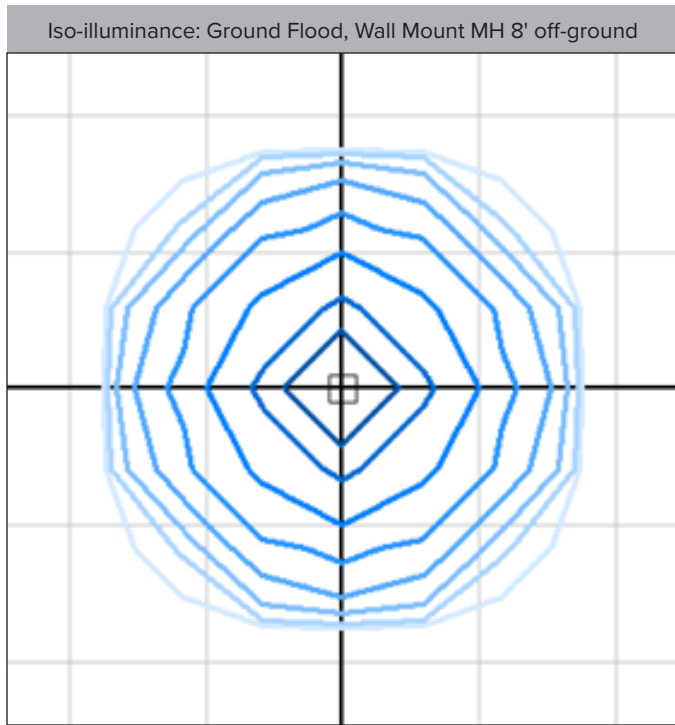
# LUMUX

## UP/DOWN LUMINAIRES UD430 / UD440 - 30° BEAM

DATE: \_\_\_\_\_  
 PROJECT: \_\_\_\_\_  
 FIRM: \_\_\_\_\_  
 CATALOG NO.: \_\_\_\_\_  
 COMMENTS: \_\_\_\_\_

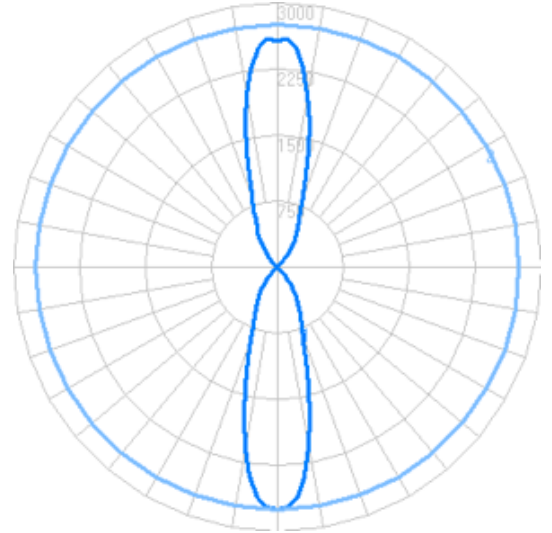
Photometry	IESNA: LM-63-2002
TEST: 14626184.03	TEST LAB: UL LLC
LUMINAIRE: UD440	DATE: 2023-01-06
IES Classification: n/a	Longitudinal Class: n/a
Luminaire Lumens	2302 (4000K)
Luminaire Efficacy Rating (LER)	94 lm/W
Total Luminaire Watts	24.64W
Upward Waste Light Ratio	0.49
Max. Candela	2751.2
Max. Cd. < 90° Vertical	2751.2
Max. Cd. (At 90 Deg. Vert.)	2.4 (0.1% Luminaire)
Max. Cd. (80 to <90 Deg. Vert.)	3.3 (3.3% Luminaire)
Cutoff Classification: N.A.	BUG Rating: B1-U5-G0

Technical aspects may change without notice.



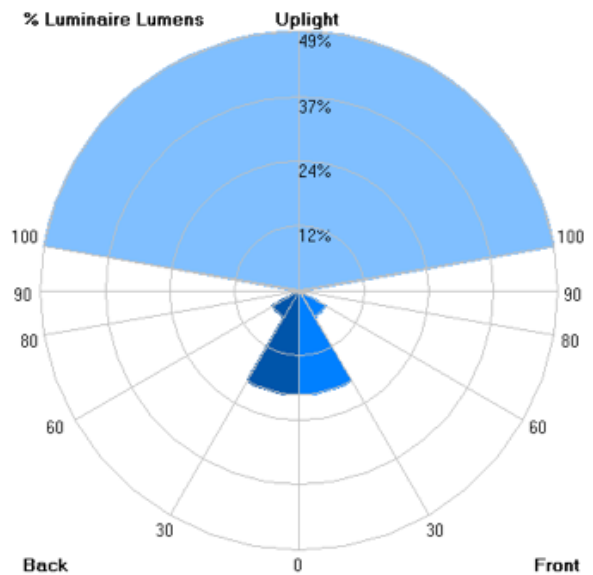
Foot-candles: 0.1, 0.2, 0.5, 1, 2, 5, 10, 20 | Grid spacing 5'

### Candela



### Zonal Lumens - Wall Mount

LCS	Zone	Lumens	%Lum.
FL	(0-30)	452.0	19.6
FM	(30-60)	131.1	5.7
FH	(60-80)	4.3	0.2
FVH	(80-90)	1.5	0.1
BL	(0-30)	452.0	19.6
BM	(30-60)	131.1	5.7
BH	(60-80)	4.3	0.2
BVH	(80-90)	1.5	0.1
UL	(90-100)	3.2	0.1
UH	(100-180)	1128.3	48.9
Total		2309	100



### LUMUX LIGHTING

Sample isoilluminance plots. For actual values, use Lumux IES file with photometry software and correct surface reflectances.

7803 Industry Ave, Pico Rivera, CA 90660  
 sales@lumux.com | 562-801-5100

Content of specification sheet subject to change

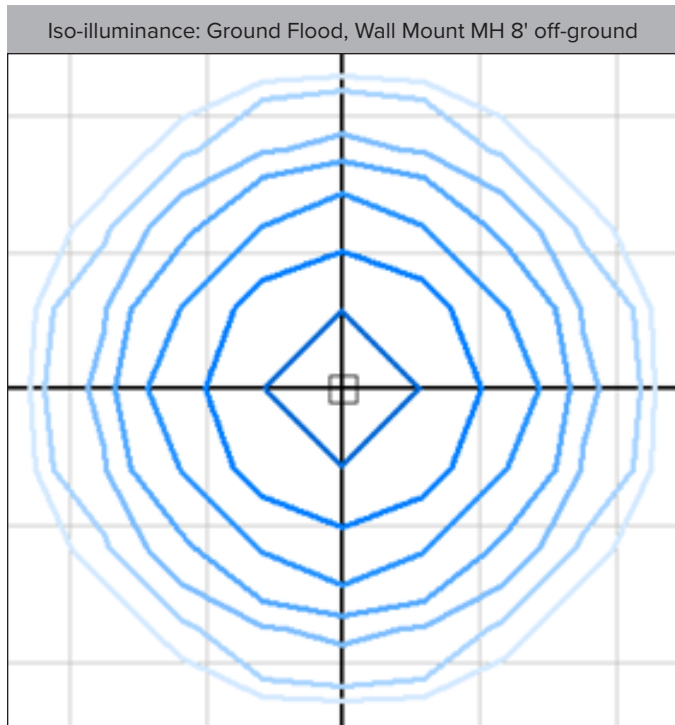
# LUMUX

## UP/DOWN LUMINAIRES UD430 / UD440 - 60° BEAM

DATE: \_\_\_\_\_  
 PROJECT: \_\_\_\_\_  
 FIRM: \_\_\_\_\_  
 CATALOG NO.: \_\_\_\_\_  
 COMMENTS: \_\_\_\_\_

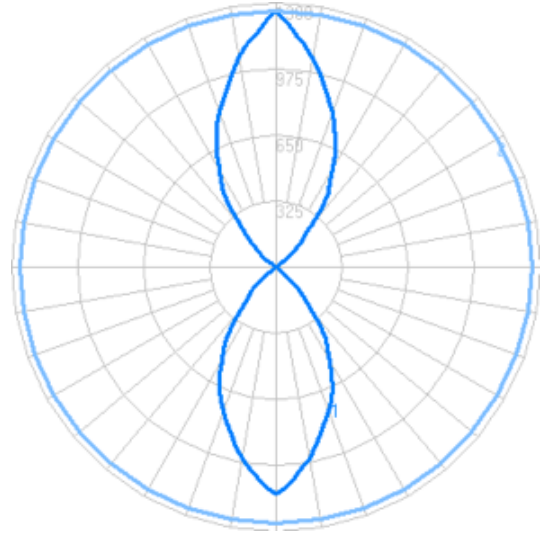
Photometry	IESNA: LM-63-2002
TEST: 14626184.02	TEST LAB: UL LLC
LUMINAIRE: UD430	DATE: 2023-01-06
IES Classification: n/a	Longitudinal Class: n/a
Luminaire Lumens	2208 (4000K)
Luminaire Efficacy Rating (LER)	94 lm/W
Total Luminaire Watts	23.5W
Upward Waste Light Ratio	0.52
Max. Candela	1262
Max. Cd. < 90° Vertical	1110.8
Max. Cd. (At 90 Deg. Vert.)	2.5 (0.1% Luminaire)
Max. Cd. (80 to <90 Deg. Vert.)	4.4 (0.2% Luminaire)
Cutoff Classification: N.A.	BUG Rating: B1-U5-G0

Technical aspects may change without notice.



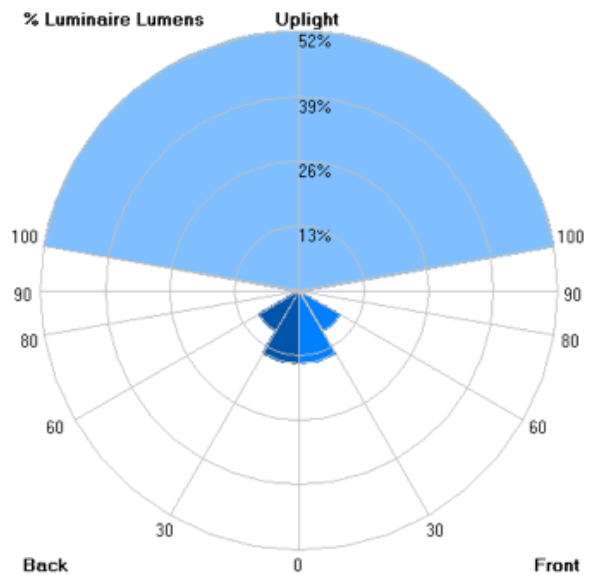
Foot-candles: 0.1, 0.2, 0.5, 1, 2, 5, 10 | Grid spacing 5'

### Candela



### Zonal Lumens - Wall Mount

LCS	Zone	Lumens	%Lum.
FL	(0-30)	317.4	14.2
FM	(30-60)	205.2	9.3
FH	(60-80)	8.3	0.4
FVH	(80-90)	1.7	0.1
BL	(0-30)	317.4	14.4
BM	(30-60)	205.2	9.3
BH	(60-80)	8.3	0.4
BVH	(80-90)	1.7	0.1
UL	(90-100)	3.5	0.2
UH	(100-180)	1139.5	51.6
Total		2208	100



# LUMUX

## UP/DOWN LUMINAIRES

### UD400 SERIES

DATE: \_\_\_\_\_  
PROJECT: \_\_\_\_\_  
FIRM: \_\_\_\_\_  
CATALOG NO.: \_\_\_\_\_  
COMMENTS: \_\_\_\_\_



**UD420**  
ø3" x 10" Cylinder

**UD430**  
ø4.25" x 11.5" Cylinder



**UD440**  
3.5" x 10" Rectangular

**UD110**  
ø6" x 11.5" Cylinder

**UD410**  
ø6" x 16" Cylinder

