

# LUMUX

## UP/DOWN LUMINAIRES UD800

DATE: \_\_\_\_\_  
 PROJECT: \_\_\_\_\_  
 FIRM: \_\_\_\_\_  
 CATALOG NO.: \_\_\_\_\_  
 COMMENTS: \_\_\_\_\_

Lumux UD800 is a precision engineered architectural LED surface-mount luminaire offering a variety of lighting configurations including uplight or downlight (14W) and combined up/down light (23W) for wall, column or ceiling mounting.

The fixture is constructed with the highest quality of specification grade materials and components made from diecast aluminum with no visible hardware, while a shielded light source enhances visual comfort.

**Housing:** Heavy-duty construction of corrosion resistant, low-copper die cast aluminum, secured with vandal resistant, stainless-steel screws.

**Lens:** 1/8" thick shatter-proof clear glass diffuser.

**Mounting:** Surface mounting to wall, column or ceiling.

**Installation:** Mounting canopy covers any standard J-Box with a mounting bracket.

**Finish:** Zinc-polyester powdercoat finish in black, white, silver, bronze, or any custom RAL color. Consult factory for marine grade or anti-microbial finish.

**Driver:** Constant current and universal input voltage 120-277v, starting temperature rated at -20°F. 0-10v dimming available.

**Gasket:** Closed cell silicon foam gasket that seals out moisture, dust, and insects for weather tight operation.

**Protection Class:** IP65, ETL Listed for wet locations.

**CRI:** 80

**Warranty:** 5 year limited warranty.

**Delivered Lumens & Wattage per color temperature:**

	2700K	3000K	3500K	4000K	WATTS
Up	1150	1250	1300	1400	14W
Down	1150	1250	1300	1400	14W
Up / Down	2300	2500	2600	2800	23W

For other lumen packages and color temperatures, please consult with the Lumux sales team.

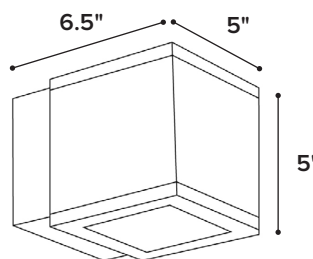


UD800

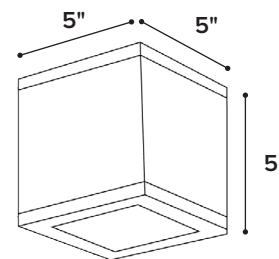
**120**  
lm/W



**Luminaire Housing Dimensions:**



Wall Mount



Ceiling Mount

# LUMUX

## UP/DOWN LUMINAIRES UD800

UD800 features high-efficacy uplight, downlight & up/down light models, for wall & ceiling mount with optional 0-10v dimming & color temp options.

### Ordering Guide

Catalog No.	LED Color	Color Temp <sup>1</sup>	Voltage	Finish	Options <sup>2</sup>
UD800	White	2700K	120-277v	Black	<input type="checkbox"/> 0-10v Dimming <input type="checkbox"/> Wall up / down light <input type="checkbox"/> Wall downlight only <input type="checkbox"/> Wall uplight only <input type="checkbox"/> Ceiling downlight
		3000K		White	
		3500K		Silver	
		4000K		Bronze	
				Custom RAL <sup>2</sup>	

<sup>1</sup>Consult factory for additional options;

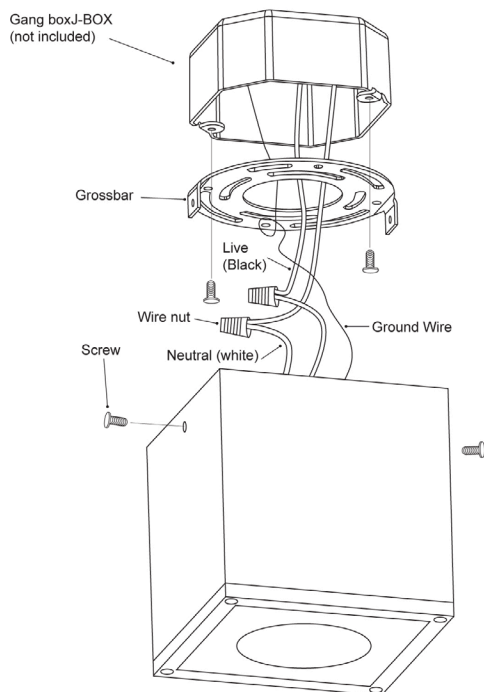
<sup>2</sup>Consult factory for additional pricing.

Catalog No.: \_\_\_\_\_

Performance Specifications	
Flux 2,800 lm (4000K)	LER 122 lm/W (4000K)
Power 23W	120-277v input voltage
Starting temp. rated to -20°F	
Dimmable driver (0-10v) option	

Environmental Specifications	
BUG Rating B1-U5-G0	Zero uplight for downlight model
CRI 80	Color temperature options
IP65	ETL listed for wet-locations
Effective Projected Area: < 1 sq.ft.	Marine Grade option
5-year limited warranty	Made in the USA

### Ceiling Installation



### Luminaires in this series



UD800



UD900

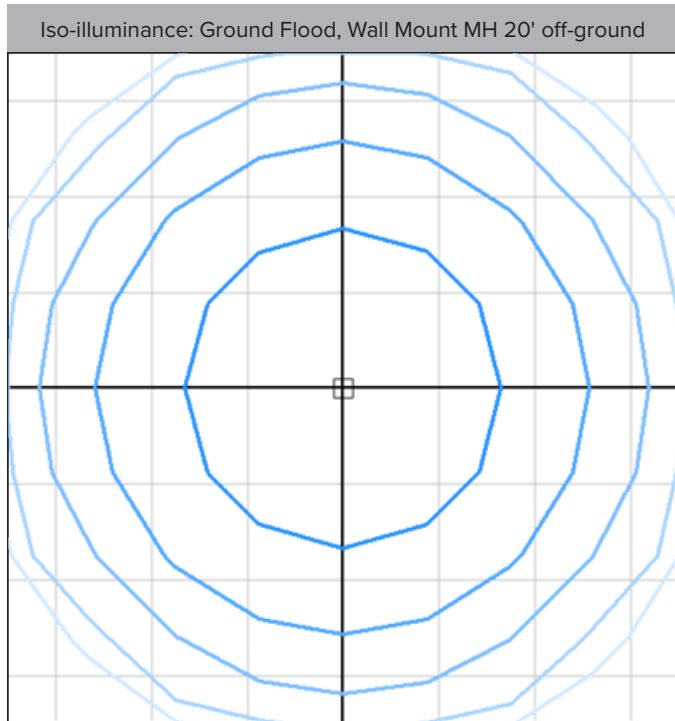
# LUMUX

## UP/DOWN LUMINAIRES UD800 - UP / DOWN LIGHT CONFIGURATION

DATE: \_\_\_\_\_  
 PROJECT: \_\_\_\_\_  
 FIRM: \_\_\_\_\_  
 CATALOG NO.: \_\_\_\_\_  
 COMMENTS: \_\_\_\_\_

Photometry	IESNA: LM-63-2002
TEST: L012310301	TEST LAB: Light Laboratory Inc.
LUMINAIRE: UD800	DATE: 2023-01-10
IES Classification: N.A.	Longitudinal Class: N.A.
Luminaire Lumens	2791 (4000K)
Luminaire Efficacy Rating (LER)	122 lm/W
Total Luminaire Watts	22.85W
Upward Waste Light Ratio	0.5
Max. Candela	1618
Max. Cd. < 90° Vertical	1618
Max. Cd. (At 90 Deg. Vert.)	0 (0.0% Luminaire)
Max. Cd. (80 to <90 Deg. Vert.)	5 (0.2% Luminaire)
Cutoff Classification: N.A.	B1-U5-G0

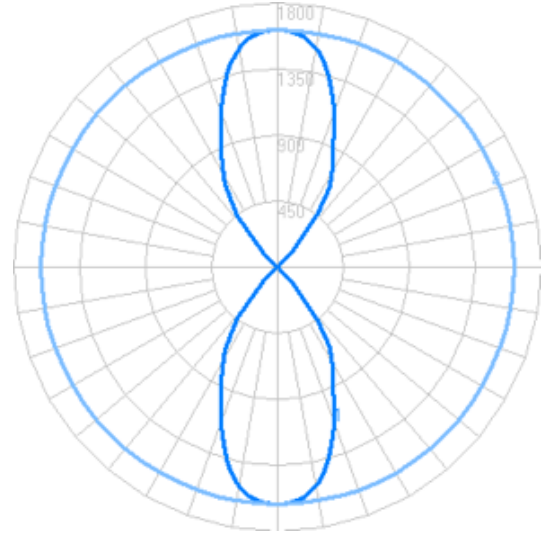
Technical aspects may change without notice.



Foot-candles: 0.1, 0.2, 0.5, 1, 2 | Grid spacing 5'

Sample isoilluminance plot. For actual values, use Lumux IES file with photometry software and correct surface reflectances.

### Candela



### Zonal Lumens

LCS	Zone	Lumens	%Lum.
FL	(0-30)	469.4	16.8
FM	(30-60)	221.6	7.9
FH	(60-80)	7.7	0.3
FVH	(80-90)	1.8	0.1
BL	(0-30)	470.7	16.9
BM	(30-60)	215.9	7.7
BH	(60-80)	7.0	0.2
BVH	(80-90)	1.7	0.1
UL	(90-100)	3.4	0.1
UH	(100-180)	1392.3	49.9
Total		2792	100

