

LUMUX

LIGHT COLUMN

PL2016

The Lumux PL2016 is an elegant, architectural light column that excels at defining spaces, both in the day time and at night. It offers a distinctive contemporary yet minimalistic design and is ideal for illuminating large areas as well as path lighting. A powerful outdoor LED solution, the PL2016 offers high performance, while downward facing light maximizes visual comfort and reduces glare. It is constructed from heavy-duty aluminum die-cast, providing long-lasting stability and durability that meets the highest standards.

Housing: Heavy-duty construction corrosion resistant, low-copper extruded aluminum. All fasteners are vandal resistant, stainless-steel.

Lens: Sealed one-piece, shatter proof, clear glass diffuser

Mounting: Secures with galvanized anchor bolts

Installation: Please refer to installation instructions

Finish: Zinc polyester powder coat finish in black, white, silver, bronze, or any custom RAL color. Consult factory for marine grade or anti-microbial finish.

Driver: Constant current and universal input voltage 120/277V, starting temperature rated at -20°F.

Gasket: Closed cell silicon foam gasket that seals out moisture, dust, and insects for weather tight operation.

Protection Class: IP65, ETL Listed for wet locations

Wattage: 45W

Color Temperature: 2700K / 3000K / 3500K / 4000K

Delivered Lumens: 2700K 3000K 3500K 4000K
3000Lm 3200Lm 3600Lm 4000Lm
Please consult factory for higher lumen packages.

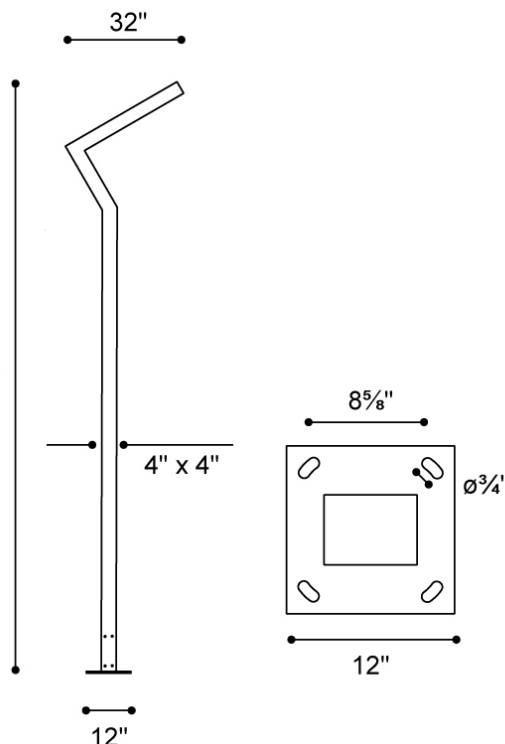
CRI: 90

Warranty: 5 year limited warranty

DATE: _____
PROJECT: _____
FIRM: _____
CATALOG NO.: _____
COMMENTS: _____



Dimensions:



Content of specification sheet subject to change

LUMUX

LIGHT COLUMN PL2016

DATE:

PROJECT:

FIRM:

CATALOG NO.:

COMMENTS:

Ordering Guide:

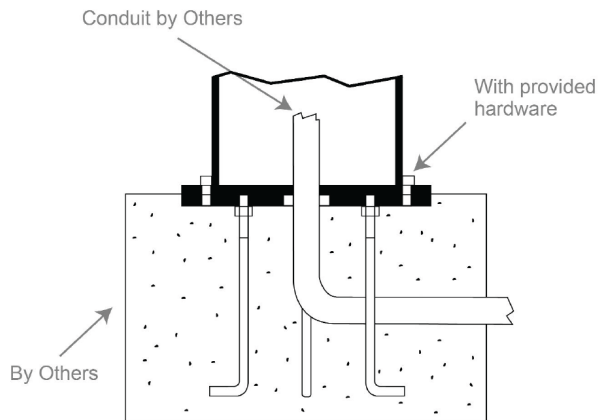
Catalog No.	LED Color	Color Temp ¹	Voltage	Finish	Options ²
PL2016	White	2700K	120/277	Black	<input type="checkbox"/> Occupancy Sensor <input type="checkbox"/> GFCI Switch
		3000K		White	
		3500K		Silver	
		4000K		Bronze	
				Custom RAL ²	

¹Consult factory for additional options

²Consult factory for additional pricing

Catalog No.: _____

Anchor foot print:



Content of specification sheet subject to change