

LUMUX

STEP LIGHTS

SL330SS

The Lumux SL300 series is a family of precision engineered, recessed LED architectural step lights that are designed for durability and performance. Constructed from the highest quality materials and components, this step light is offered in a wide array of form factors and grill options to fit any specification. A diecast aluminum body is seamlessly integrated with its grade 316 stainless-steel faceplate with captive, vandal resistant stainless-steel screws. This step light features a frosty glass diffuser, reducing glare, and is energy efficient for long-lasting indoor and outdoor applications.

Housing: Heavy-duty construction of corrosion resistant, low-copper die cast aluminum. 316 stainless-steel faceplate secured with vandal resistant, stainless-steel screws.

Lens: 1/8" thick shatter-proof frosty glass diffuser

Mounting: Recessed wall or concrete pour

Installation: Unit is provided with polymer concrete pour box (see diagram for dimensions). Housing provided with 1/2" conduit opening.

Finish: Zinc polyester powder coat finish in black, white, silver, bronze, or any custom RAL color. Consult factory for marine grade or anti-microbial finish.

Driver: Constant current input voltage 120v or 277V, starting temperature rated at -20°F.

Gasket: Closed cell silicon foam gasket that seals out moisture, dust, and insects for weather tight operation.

Protection Class: IP65, ETL Listed for wet locations

Wattage: 2.7W

Color Temperature: 2700K / 3000K / 3500K / 4000K

Delivered Lumens:	2700K	3000K	3500K	4000K
	67Lm	74Lm	87Lm	100Lm

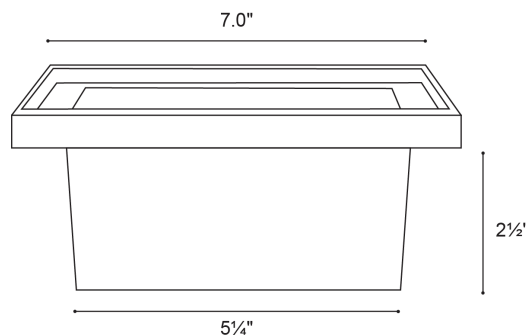
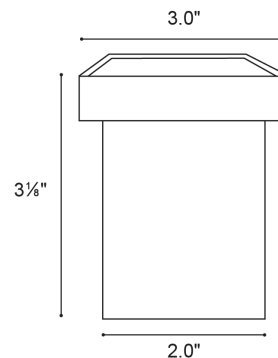
CRI: 90

Warranty: 5 year limited warranty

DATE: _____
PROJECT: _____
FIRM: _____
CATALOG NO.: _____
COMMENTS: _____



Dimensions:



LUMUX

STEP LIGHTS

SL330SS

DATE:

PROJECT:

FIRM:

CATALOG NO.:

COMMENTS:

Ordering Guide:

Catalog No.	LED Color	Color Temp ¹	Voltage	Finish
SL330SS	White	2700K	120	Stainless Steel
	Blue	3000K	277	Black
	Green	3500K		White
	Red	4000K		Silver
	Amber			Bronze
				Custom RAL ²

¹ Color Temperature applies only to White LED Color

¹ Consult factory for additional options

² Consult factory for additional options

Catalog No.: _____

Concrete Pour Box:

