

# LUMUX

## STEP LIGHTS

### SL562SS

DATE:

PROJECT:

FIRM:

CATALOG NO.:

COMMENTS:

The Lumux SL500 series is a family of precision engineered, recessed LED architectural step lights that are designed for durability and performance. Constructed from the highest quality materials and components, this step light is offered in a wide array of form factors and grill options to fit any specification. A diecast aluminum body is seamlessly integrated with its grade 316 stainless-steel faceplate with captive, vandal resistant stainless-steel screws. This step light features a frosty glass diffuser, reducing glare, and is energy efficient for long-lasting indoor and outdoor applications.

**Housing:** Heavy-duty construction of corrosion resistant, low-copper die cast aluminum. Faceplate secured with vandal resistant, stainless-steel screws.

**Lens:** 1/8" thick shatter-proof frosty glass diffuser

**Mounting:** Recessed wall or concrete pour

**Installation:** Unit is provided with galvanized steel concrete pour box (see diagram for dimensions). Housing provided with 1/2" conduit opening.

**Finish:** Zinc polyester powder coat finish in black, white, silver, bronze, or any custom RAL color. Consult factory for marine grade or anti-microbial finish.

**Driver:** Constant current and universal input voltage 120/277V, starting temperature rated at -20°F. Dimmable option available (0-10v).

**Gasket:** Closed cell silicon foam gasket that seals out moisture, dust, and insects for weather tight operation.

**Protection Class:** IP65, ETL Listed for wet locations

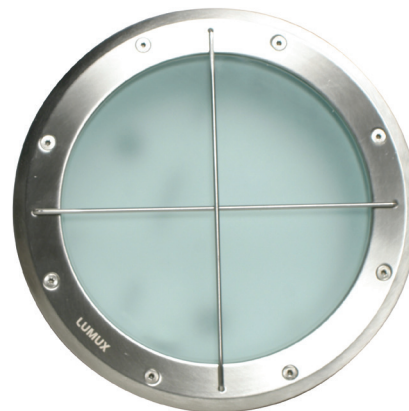
**Wattage:** 21W

**Color Temperature:** 2700K / 3000K / 3500K / 4000K

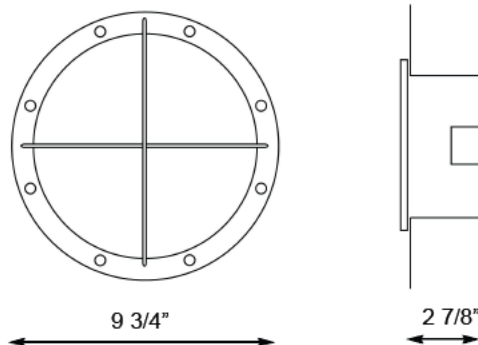
<b>Delivered Lumens:</b>	<b>2700K</b>	<b>3000K</b>	<b>3500K</b>	<b>4000K</b>
	564Lm	627Lm	732Lm	836Lm

**CRI:** 90

**Warranty:** 5 year limited warranty



#### Dimensions:



# LUMUX

## STEP LIGHTS SL562SS

DATE:

PROJECT:

FIRM:

CATALOG NO.:

COMMENTS:

### Ordering Guide:

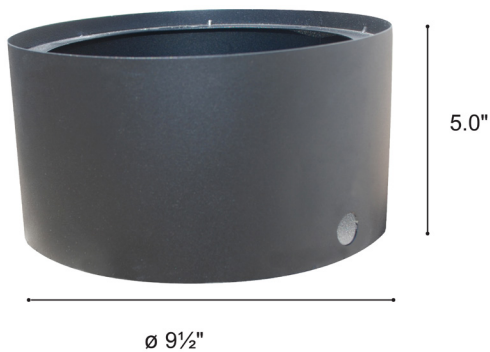
Catalog No.	LED Color	Color Temp <sup>1</sup>	Voltage	Finish	Options <sup>2</sup>
SL562SS	White	2700K	120/277	Stainless Steel	<input type="checkbox"/> Dimmable driver (0-10v)
	Blue	3000K		Black	
	Amber	3500K		White	
		4000K		Silver	
				Bronze	
				Custom RAL <sup>2</sup>	

<sup>1</sup> Color Temperature applies only to White LED Color

<sup>2</sup> Consult factory for additional options

Catalog No.: \_\_\_\_\_

### Concrete Pour Box:



Content of specification sheet subject to change