

LUMUX

UP DOWNS

UD500

The Lumux UD500 is a precision engineered architectural LED wall mounted cylinder offering direct and indirect light from a single cylinder in diecast aluminum with no visible hardware in a sleek, symmetrical design. Multiple lighting configurations can be specified – up or down only, or up & down – making it a versatile product for a wide range of applications. The fixture is constructed with the highest quality of specification grade materials and component parts, while a shielded light source enhances visual comfort.

Housing: Heavy-duty construction of one-piece, corrosion resistant, low-copper (<1% copper) die-cast aluminum. Step baffle frame encloses lens that is secured with vandal resistant, stainless-steel screws.

Lens: 1/8" thick shatter proof clear glass diffuser

Mounting: Surface mounted

Installation: Unit's back plate is 5.0"x 7 1/2" (Width x Length), will cover any standard J-Box.

Finish: Zinc polyester powder coat finish in black, white, silver, bronze, or any custom RAL color.

Driver: Constant current and universal input voltage 120/277V, starting temperature rated at -20°F. Dimmable option available (0-10v).

Gasket: Closed cell silicon foam gasket that seals out moisture, dust, and insects for weather tight operation.

Protection Class: IP65, ETL Listed for wet locations

Wattage: 18.4W

Color Temperature: 2700K / 3000K / 3500K / 4000K

Delivered Lumens:	2700K	3000K	3500K	4000K
	890Lm	914Lm	970Lm	1015Lm

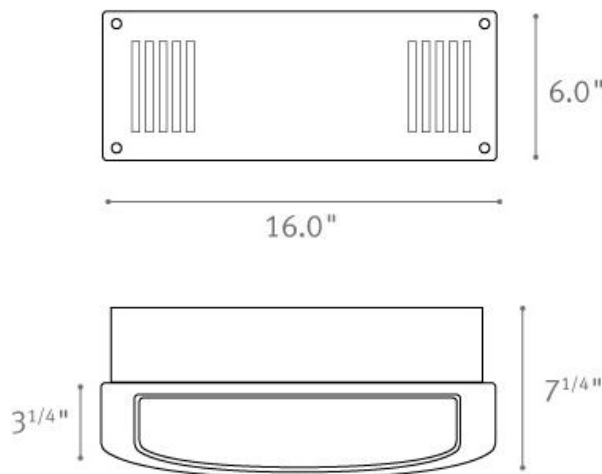
CRI: 90

Warranty: 5 year limited warranty

DATE: _____
PROJECT: _____
FIRM: _____
CATALOG NO.: _____
COMMENTS: _____



Dimensions:



LUMUX

UP DOWNS

UD500

DATE:

PROJECT:

FIRM:

CATALOG NO.:

COMMENTS:

Ordering Guide:

Catalog No.	LED Color	Color Temp ¹	Voltage	Finish	Options ²
UD500	White	2700K	120/277		<input type="checkbox"/> Up only <input type="checkbox"/> Down only ³ <input type="checkbox"/> Up & Down <input type="checkbox"/> Dimmable driver (0-10v) <input type="checkbox"/> Emergency Battery Pack
	Amber	3000K		Black	
		3500K		White	
		4000K		Silver	
				Bronze	
				Custom RAL ²	

¹Color Temperature applies only to White LED Color

¹Consult factory for additional options

²Consult factory for pricing

³Dark sky compliant and turtle friendly

Catalog No.: _____