

# LUMUX INC.

## INSTALLATION OPERATION INSTRUCTIONS

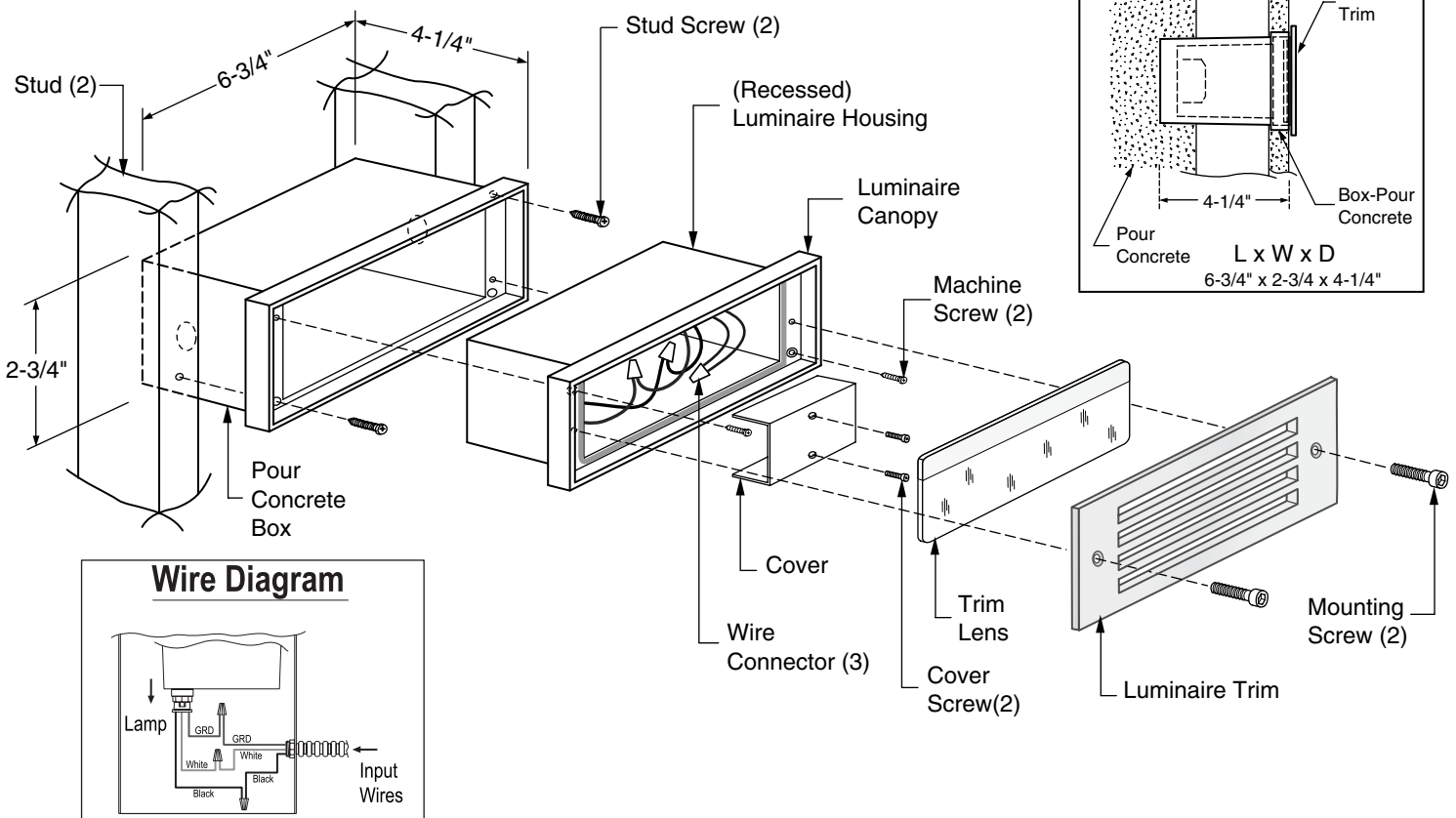
### PREPARING THE LUMINAIRE

SAVE THIS INSTRUCTIONS

- WARNING** - Before starting the installation, disconnect the power by turning off the circuit breaker or removing the fuse at the fuse box. Turning the power off using the light switch is not sufficient to prevent electrical shock.
- Run the supply electrical wires through the Flex Conduit or Pipe (by others).
- Place the Pour Concrete Box against the studs and secure with two Stud Screws (by others).
- Make electrical connections: Connect grounding wire (green or bare copper) from the supply circuit to the green or bare copper wire from the Luminaire. Connect the white wire from the Luminaire to the white wire of the supply circuit. Connect the black wire from the Luminaire to the black wire of the supply circuit. Use U.L. Listed wire connectors (by others). Secure wire connectors with U.L. Listed electrical tape (by others).
- Replace the Cover by using the two screws as shown in figure below.
- Install the lamp (by others) **Do Not Exceed Recommended Wattage.**
- Install the Lens & Luminaire Trim with two Mounting Screws (provided) as shown in figure below.

**IMPORTANT:** In order to comply with established electrical code, the installer must seal the area around the Luminaire Canopy and the Wall, with type of caulking compound such as GE 100% or Dow Corning 100% silicone to provide a watertight seal in accordance with the differing surface textures of the wall.

**NOTE: Install Pour Concrete Box (canopy edge) Flush to the Wall.**



**RECESSED LUMINAIRE - WALL MOUNT SL 300 STEP LIGHT Series -**

LUMUX - ARCHITECTURAL LIGHTING COMPANY- Toll Free 877- 895-5552 www.Lumux.net