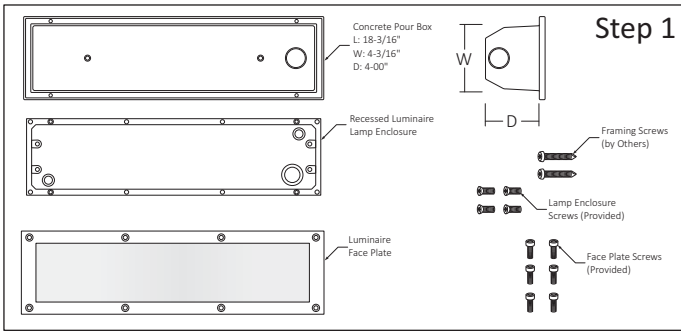


**PREPARING THE LUMINAIRE**

**RECESSED WALL MOUNT LUMINAIRE SL600L**

**SAVE THIS INSTRUCTIONS**



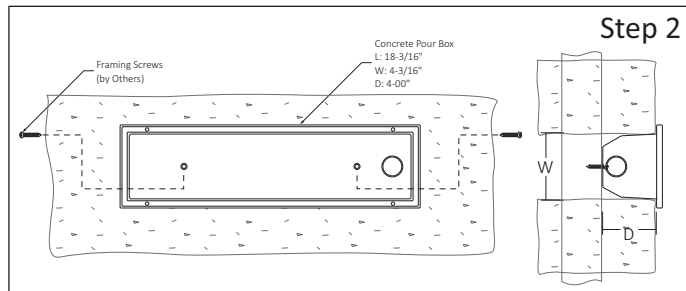
READ AND UNDERSTAND ALL INSTRUCTIONS BEFORE INSTALLATION. IF YOU ARE NOT FAMILIAR WITH THE NATIONAL ELECTRICAL CODE (NEC), CONTACT A QUALIFIED ELECTRICIAN TO INSTALL THIS LUMINAIRE.

**WARNING.-** Before installing this luminaire or doing any maintenance, turn off the power supply at the circuit breaker or fuse box. Turning the power off using the light switch is not sufficient to prevent electrical shock.

**NOTE:**

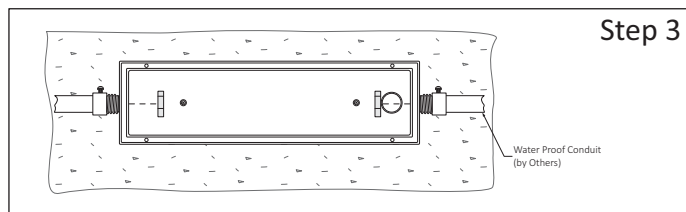
To re-lamp, replacement parts or additional information, contact or visit manufacturer at [www.lumux.net](http://www.lumux.net)

**Step 1 - Disassemble Luminaire Parts for easy Installation:**  
a.- Remove Mounting Plate to install Luminaire Lamp Enclosure.

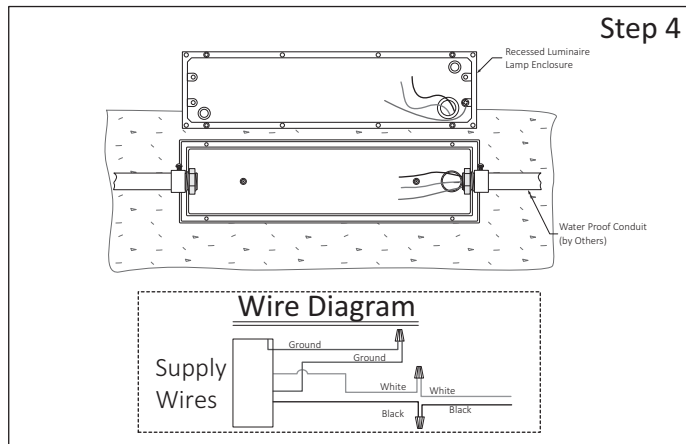


**Step 2 - Install Concrete Pour Box:**  
a.- Place CPX on desired Location to be Installed with Framing using proper Mounting Screws (by Others) as required for Building Material.

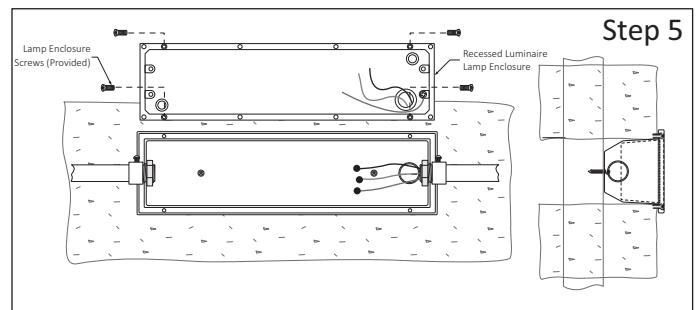
**NOTE: This box has to get framed in before concrete pour. Otherwise, the weight of the concrete will crush this box.**



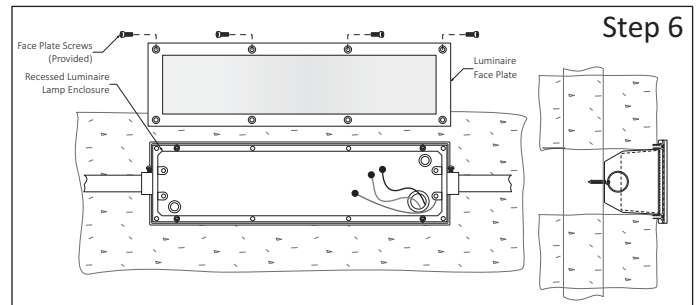
**Step 3 - Install Electrical Conduit:**  
a.- Run the Electrical Conduits (by Others) to the Luminaire sides as needed for Through Wiring System.



**Step 4 - Make Wiring Connections:**  
a.- Place Lamp Enclosure and run the Electrical Wires through all the Luminaires and make hard-wire connections, see Wire Diagram.



**Step 5 - Install Luminaire Lamp Enclosure:**  
a.- Insert Lamp Enclosure into CPX Box and Install using proper Mounting Screws (by others).



**Step 6 - Install Luminaire Face Plate:**  
a.- Install Face Plate onto the Lamp Enclosure using the eight Screws (provided).

